



# BRAKE DISC MAX

## 08.9512.76

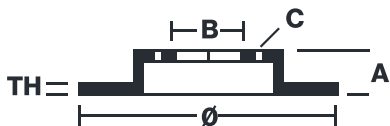
The 08.9512.76 Max brake disc is synonymous with reliability

The Brembo Max brake disc features grooves on the braking surface. The special shape of the grooves generates greater fading resistance and constant renewal of friction material, quickly restoring optimum braking conditions. The UV paint completes the sporty look.

- ✓ Brembo quality
- ✓ ECE-R90 certificate
- ✓ Performance
- ✓ Sports driving
- ✓ Sporty look
- ✓ Anti-corrosion



### Technical specifications



EAN code  
8020584321225

Axle  
Rear

Diameter  $\varnothing$   
249 mm

Thickness (TH)  
9 mm

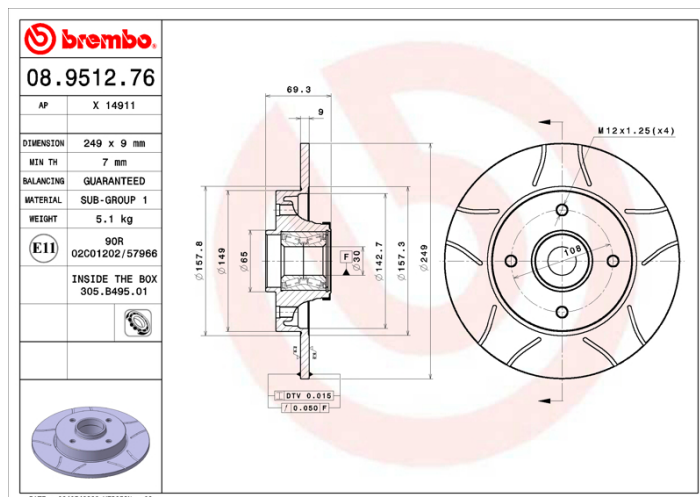
Height (A)  
69,3 mm

Number of holes (C)  
4

Brake disc type  
Solid

Centering (B)  
65 mm

Min. thickness  
7 mm



COMPATIBLE VEHICLES

## COMPATIBLE OE PART NUMBERS

1619237980	CITROËN
424919	CITROËN
424932	CITROËN
E169512	CITROËN
424919	DS
424932	DS
E169512	DS
3648487	OPEL
1619237980	PEUGEOT
424919	PEUGEOT
424932	PEUGEOT
E169512	PEUGEOT
1613500780	PEUGEOT (DF-PSA)
424919	PEUGEOT (DF-PSA)
424932	PEUGEOT (DF-PSA)
ZQ51014280	PEUGEOT (DF-PSA)
3648487	VAUXHALL