



BRAKE DISC PAINTED

08.A147.11

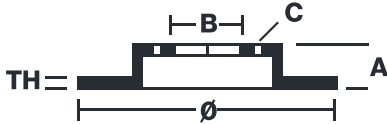
The **08.A147.11** painted brake disc is synonymous with reliability

The Brembo brake disc with special UV paint treatment guarantees superior corrosion resistance for the product, thanks to the protective coating on the outer edges and on the disc hub. The UV paint not only gives the disc a clean, shiny appearance but is also beneficial for the environment as the water-based UV paint treatment does not require the use of chemical solvents and is a low energy consumption process.

- ✓ OE-equivalent
- ✓ Brembo quality
- ✓ ECE-R90 certificate
- ✓ Safety
- ✓ Anti-corrosion
- ✓ Fastening screws



Technical specifications



EAN code
8020584031520

Axle
Rear

Diameter Ø
260 mm

Thickness (TH)
9 mm

Height (A)
42 mm

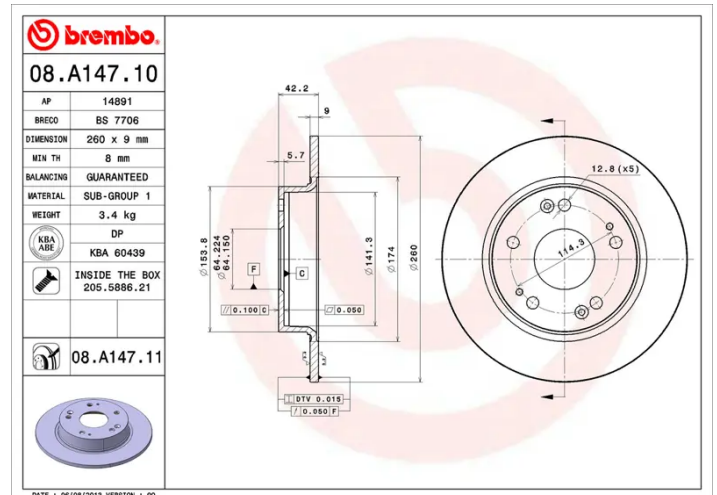
Number of holes (C)
5

Brake disc type
Solid

Centering (B)
64 mm

Min. thickness
8 mm

Tightening torque
108 Nm



COMPATIBLE VEHICLES

COMPATIBLE OE PART NUMBERS

42510TR3A00	ACURA
42510SNVH00	CIIMO
42510SMGE20	HONDA
42510SNAA00	HONDA
42510SNAA01	HONDA
42510SNEA00	HONDA
42510SNLT00	HONDA
42510TR3A00	HONDA
42510SNAA00	HONDA (DONGFENG)
42510SNVH00	HONDA (DONGFENG)