



BRAKE DISC PAINTED

08.C309.11

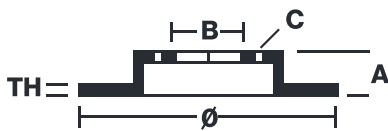
The 08.C309.11 painted brake disc is synonymous with reliability

The Brembo brake disc with special UV paint treatment guarantees superior corrosion resistance for the product, thanks to the protective coating on the outer edges and on the disc hub. The UV paint not only gives the disc a clean, shiny appearance but is also beneficial for the environment as the water-based UV paint treatment does not require the use of chemical solvents and is a low energy consumption process.

- ✓ OE-equivalent
- ✓ Brembo quality
- ✓ ECE-R90 certificate
- ✓ Safety
- ✓ Anti-corrosion
- ✓ Fastening screws



Technical specifications



EAN code
8020584219003

Axle
Rear

Diameter Ø
290 mm

Thickness (TH)
12 mm

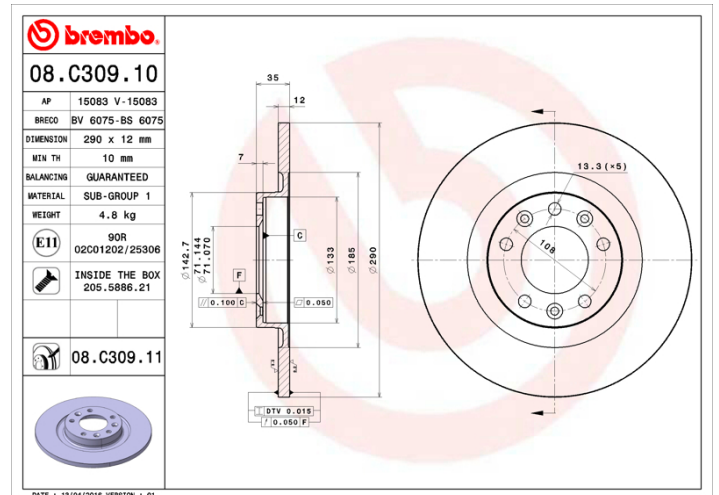
Height (A)
35 mm

Number of holes (C)
5

Brake disc type
Solid

Centering (B)
71 mm

Min. thickness
10 mm



COMPATIBLE VEHICLES

COMPATIBLE OE PART NUMBERS

1609583080 CITROËN

1642776480 CITROËN

1642776480 DS

1642776480 OPEL

3637360 OPEL

1609583080 PEUGEOT

1642776480 PEUGEOT

1687772680 PEUGEOT

SU001A6145 TOYOTA

1642776480 VAUXHALL
