



BRAKE DISC PAINTED

09.8760.11

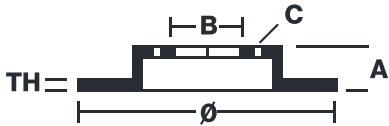
The **09.8760.11** painted brake disc is synonymous with reliability

The Brembo brake disc with special UV paint treatment guarantees superior corrosion resistance for the product, thanks to the protective coating on the outer edges and on the disc hub. The UV paint not only gives the disc a clean, shiny appearance but is also beneficial for the environment as the water-based UV paint treatment does not require the use of chemical solvents and is a low energy consumption process.

- ✓ OE-equivalent
- ✓ Brembo quality
- ✓ ECE-R90 certificate
- ✓ Safety
- ✓ Anti-corrosion
- ✓ Fastening screws




Technical specifications




EAN code 8020584024010	Axle Front	Diameter Ø 283 mm
Thickness (TH) 26 mm	Height (A) 34 mm	Number of holes (C) 4
Brake disc type Ventilated	Centering (B) 66 mm	Min. thickness 24 mm

Tightening torque
90 Nm

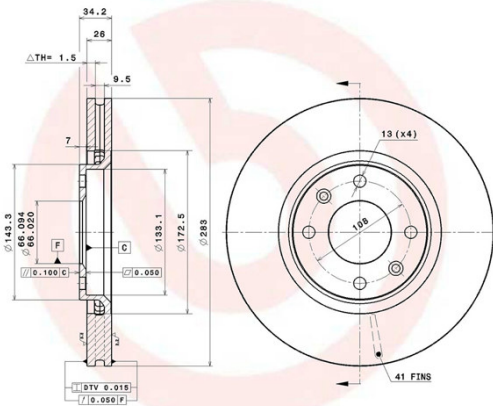



09.8760.10

AP	24788 V-24788
BRECO	BV 8415-BS 8415
DIMENSION	283 x 26 mm
MIN TH	24 mm
BALANCING	GUARANTEED
MATERIAL SUB-GROUP	1
WEIGHT	6.8 kg
ABS	DA
KBA	KBA 60436
INSIDE THE BOX	205.5886.21

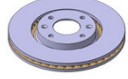


INSIDE THE BOX
205.5886.21





09.8760.11



DATE : 26/05/2014 VERSION : 00

COMPATIBLE VEHICLES

COMPATIBLE OE PART NUMBERS

1613703980 CITROËN

3557911 OPEL

1613703980 PEUGEOT

4246W8 PEUGEOT

424917 PEUGEOT
