



BRAKE DISC PAINTED

09.8876.31

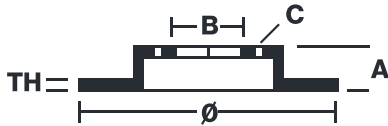
The 09.8876.31 painted brake disc is synonymous with reliability

The Brembo brake disc with special UV paint treatment guarantees superior corrosion resistance for the product, thanks to the protective coating on the outer edges and on the disc hub. The UV paint not only gives the disc a clean, shiny appearance but is also beneficial for the environment as the water-based UV paint treatment does not require the use of chemical solvents and is a low energy consumption process.

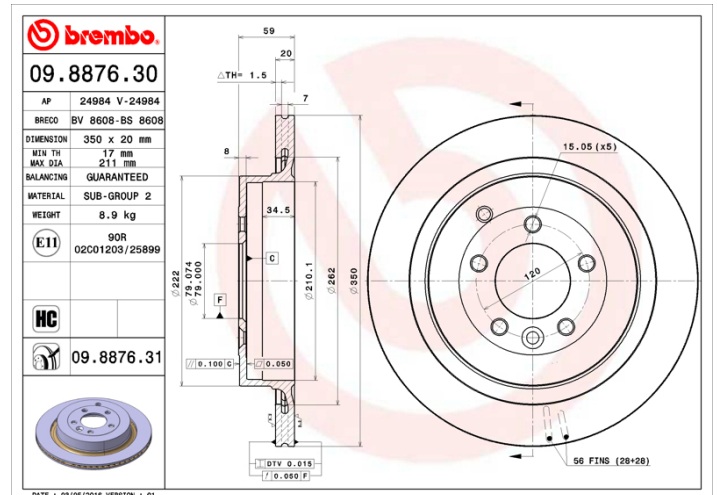
- ✓ OE-equivalent
- ✓ Brembo quality
- ✓ ECE-R90 certificate
- ✓ Safety
- ✓ High carbon
- ✓ Anti-corrosion



Technical specifications



EAN code 8020584231272	Axle Rear	Diameter Ø 350 mm
Thickness (TH) 20 mm	Height (A) 59 mm	Number of holes (C) 5
Brake disc type Ventilated	Centering (B) 79 mm	Min. thickness 17 mm
Tightening torque 140 Nm		



COMPATIBLE VEHICLES

COMPATIBLE OE PART NUMBERS

SDB000642	LAND ROVER
-----------	------------

SDB000643	LAND ROVER
-----------	------------

SDB000644	LAND ROVER
-----------	------------

SDB000645	LAND ROVER
-----------	------------

SDB000646	LAND ROVER
-----------	------------

SDB500160	LAND ROVER
-----------	------------
