



BRAKE DISC PAINTED

09.9925.11

The 09.9925.11 painted brake disc is synonymous with reliability

The Brembo brake disc with special UV paint treatment guarantees superior corrosion resistance for the product, thanks to the protective coating on the outer edges and on the disc hub. The UV paint not only gives the disc a clean, shiny appearance but is also beneficial for the environment as the water-based UV paint treatment does not require the use of chemical solvents and is a low energy consumption process.

- ✓ OE-equivalent
- ✓ Brembo quality
- ✓ ECE-R90 certificate
- ✓ Safety
- ✓ High carbon
- ✓ Anti-corrosion
- ✓ Fastening screws

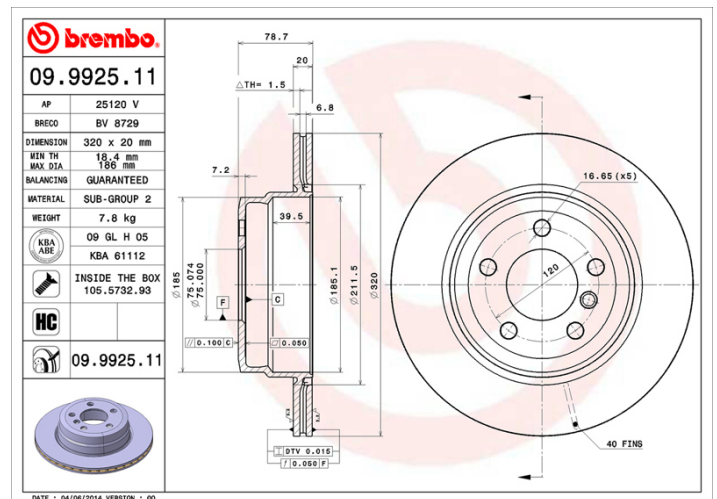


Technical specifications



EAN code 8020584992517	Axle Rear	Diameter Ø 320 mm
Thickness (TH) 20 mm	Height (A) 78 mm	Number of holes (C) 5
Brake disc type Ventilated	Centering (B) 75 mm	Min. thickness 18,4 mm

Tightening torque
140 Nm



COMPATIBLE VEHICLES

COMPATIBLE OE PART NUMBERS

34216771970	BMW
-------------	-----

34216793247	BMW
-------------	-----

34216868940	BMW
-------------	-----

34216886479	BMW
-------------	-----
