



BRAKE DISC

09.A334.20

The **09.A334.20** brake disc is synonymous with reliability

The Brembo brake disc is fully interchangeable with an Original Equipment brake disc. The control of the entire production cycle allows Brembo to offer brake discs with outstanding performance levels, reliability, durability and comfort in all conditions of use. All Brembo brake discs are accompanied by the ECE-R90 homologation.

- ✓ OE-equivalent
- ✓ Brembo quality
- ✓ ECE-R90 certificate
- ✓ Safety



Technical specifications



EAN code
8020584213605

Axle
Rear

Diameter Ø
312 mm

Thickness (TH)
18 mm

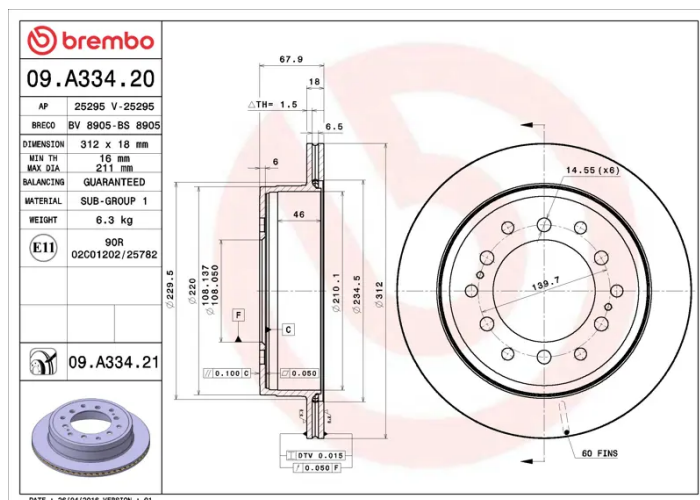
Height (A)
68 mm

Number of holes (C)
6

Brake disc type
Ventilated

Centering (B)
108 mm

Min. thickness
16 mm



COMPATIBLE VEHICLES

COMPATIBLE OE PART NUMBERS

4243160311	LEXUS
424310K230	TOYOTA
4243160311	TOYOTA
4243160311	TOYOTA (FAW)