



BRAKE DISC PAINTED

09.A417.11

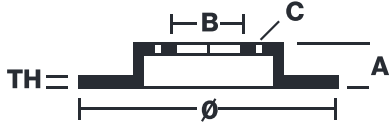
The 09.A417.11 painted brake disc is synonymous with reliability

The Brembo brake disc with special UV paint treatment guarantees superior corrosion resistance for the product, thanks to the protective coating on the outer edges and on the disc hub. The UV paint not only gives the disc a clean, shiny appearance but is also beneficial for the environment as the water-based UV paint treatment does not require the use of chemical solvents and is a low energy consumption process.

- ✓ OE-equivalent
- ✓ Brembo quality
- ✓ ECE-R90 certificate
- ✓ Safety
- ✓ Anti-corrosion

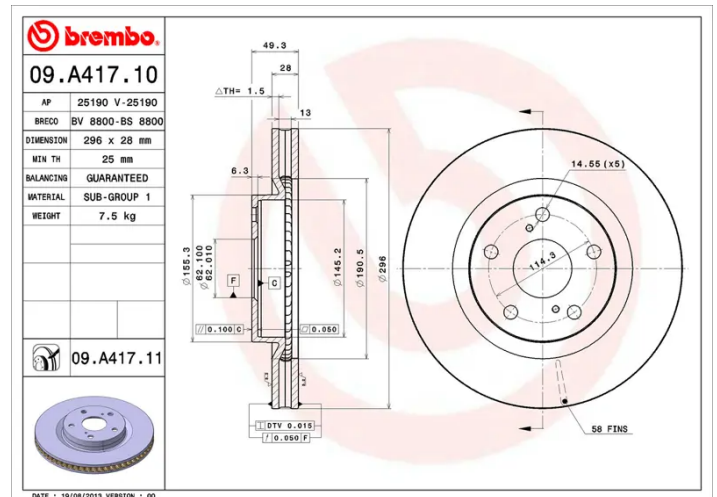


Technical specifications



EAN code 8020584032541	Axle Front	Diameter Ø 296 mm
Thickness (TH) 28 mm	Height (A) 49 mm	Number of holes (C) 5
Brake disc type Ventilated	Centering (B) 62 mm	Min. thickness 25 mm

Tightening torque
103 Nm



COMPATIBLE VEHICLES

COMPATIBLE OE PART NUMBERS

1014011607	EMGRAND
4048013700	EMGRAND
1014011607	ENGLON
4048013700	ENGLON
1014011607	GEELY
4048013700	GEELY
1014011607	GLEAGLE
4048013700	GLEAGLE
4351233130	LEXUS
4351233140	LEXUS
4351202250	TOYOTA
4351206090	TOYOTA
4351206120	TOYOTA
4351206121	TOYOTA
4351206140	TOYOTA
4351233130	TOYOTA
4351233140	TOYOTA
4351242050	TOYOTA
4351242090	TOYOTA
4351242100	TOYOTA
435120R030	TOYOTA (FAW)