



BRAKE DISC PAINTED

09.B929.11

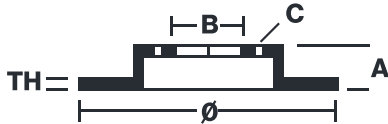
The 09.B929.11 painted brake disc is synonymous with reliability

The Brembo brake disc with special UV paint treatment guarantees superior corrosion resistance for the product, thanks to the protective coating on the outer edges and on the disc hub. The UV paint not only gives the disc a clean, shiny appearance but is also beneficial for the environment as the water-based UV paint treatment does not require the use of chemical solvents and is a low energy consumption process.

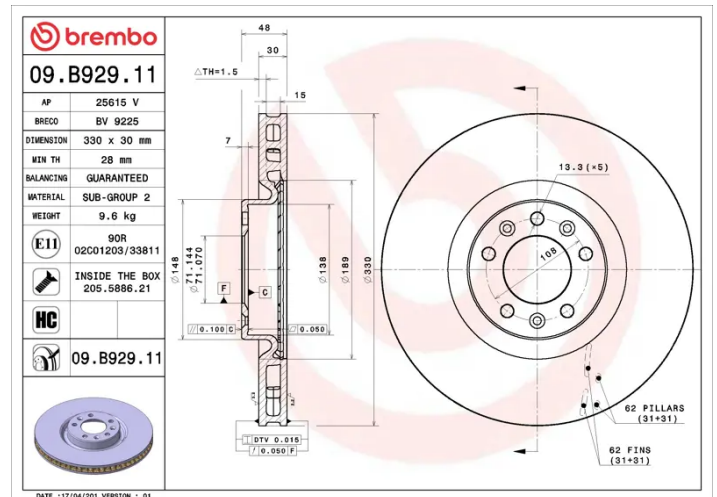
- ✓ OE-equivalent
- ✓ Brembo quality
- ✓ ECE-R90 certificate
- ✓ Safety
- ✓ High carbon
- ✓ Anti-corrosion
- ✓ Fastening screws



Technical specifications



EAN code 8020584228005	Axle Front	Diameter Ø 330 mm
Thickness (TH) 30 mm	Height (A) 48 mm	Number of holes (C) 5
Brake disc type Ventilated	Centering (B) 71 mm	Min. thickness 28 mm



COMPATIBLE VEHICLES

COMPATIBLE OE PART NUMBERS

9804605780	CITROËN
9804605780	CITROËN (DF-PSA)
1642761480	DS
1686718680	DS
9804605780	DS
9818381680	DS
9818381680	DS (CAPSA)
9804605780	OPEL
1642761480	PEUGEOT
1686718680	PEUGEOT
9804605780	PEUGEOT
9804605780	PEUGEOT (DF-PSA)
9804605780	VAUXHALL