



BRAKE DISC PAINTED

09.C350.11

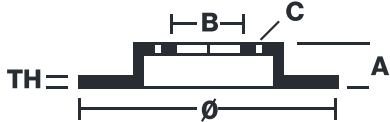
The 09.C350.11 painted brake disc is synonymous with reliability

The Brembo brake disc with special UV paint treatment guarantees superior corrosion resistance for the product, thanks to the protective coating on the outer edges and on the disc hub. The UV paint not only gives the disc a clean, shiny appearance but is also beneficial for the environment as the water-based UV paint treatment does not require the use of chemical solvents and is a low energy consumption process.

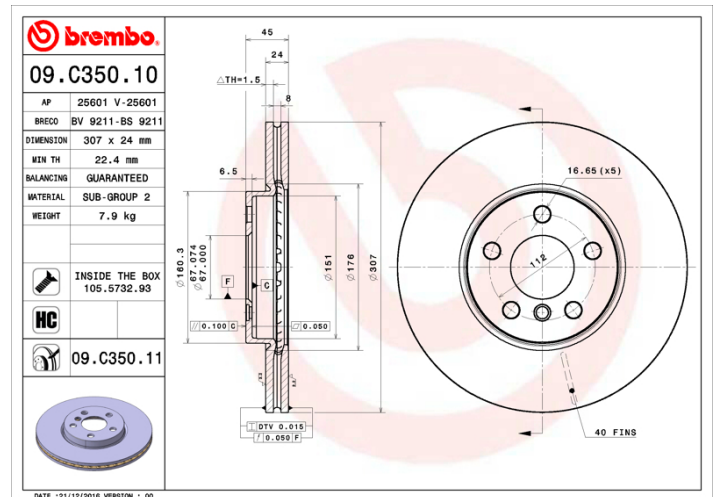
- ✓ OE-equivalent
- ✓ Brembo quality
- ✓ ECE-R90 certificate
- ✓ Safety
- ✓ High carbon
- ✓ Anti-corrosion
- ✓ Fastening screws



Technical specifications



EAN code	Diameter Ø	
8020584225332	307 mm	
Thickness (TH)	Height (A)	Number of holes (C)
24 mm	45 mm	5
Brake disc type	Centering (B)	Min. thickness
Ventilated	67 mm	22,4 mm



COMPATIBLE OE PART NUMBERS

34106888686	BMW
34106891079	BMW
34116799351	BMW
34116860957	BMW
34116860957	BMW (BRILLIANCE)
34106891079	MINI
34116799351	MINI
34116860957	MINI