



BRAKE DISC PAINTED

09.C649.11

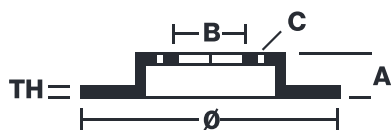
The 09.C649.11 painted brake disc is synonymous with reliability

The Brembo brake disc with special UV paint treatment guarantees superior corrosion resistance for the product, thanks to the protective coating on the outer edges and on the disc hub. The UV paint not only gives the disc a clean, shiny appearance but is also beneficial for the environment as the water-based UV paint treatment does not require the use of chemical solvents and is a low energy consumption process.

- ✓ OE-equivalent
- ✓ Brembo quality
- ✓ ECE-R90 certificate
- ✓ Safety
- ✓ High carbon
- ✓ Anti-corrosion
- ✓ PVT ventilation
- ✓ Fastening screws



Technical specifications



EAN code
8020584223840

Axle
Front

Diameter \varnothing
300 mm

Thickness (TH)
24 mm

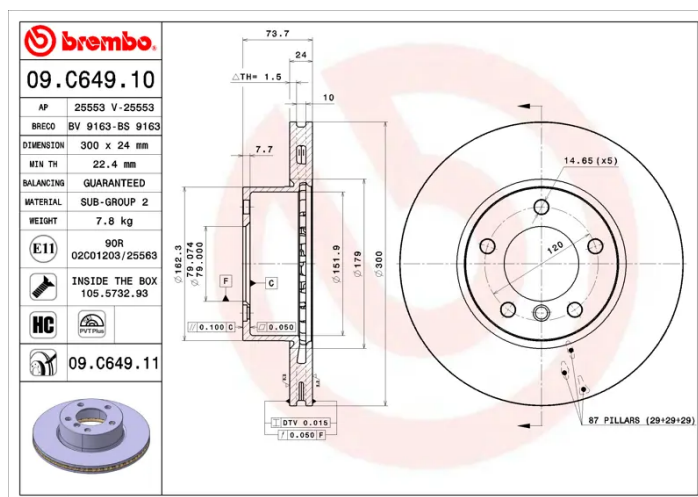
Height (A)
74 mm

Number of holes (C)
5

Brake disc type
Ventilated

Centering (B)
79 mm

Min. thickness
22,4 mm



COMPATIBLE OE PART NUMBERS

34116764643	BMW
34116772669	BMW
34116783752	BMW
34116854998	BMW
34116764643	BMW (BRILLIANCE)
34116772669	BMW (BRILLIANCE)
34116854998	BMW (BRILLIANCE)