



BRAKE DISC XTRA

09.C892.1X

The 09.C892.1X Xtra brake disc is synonymous with reliability

The Brembo Xtra brake disc features holes on the braking surface. The holes are designed to improve the cooling of the braking system, to generate greater fading resistance and grip in the initial stages of braking. The sports look is also enhanced by the presence of the UV paint.

- ✓ Brembo quality
- ✓ ECE-R90 certificate
- ✓ Performance
- ✓ Sports driving
- ✓ Sporty look
- ✓ High carbon
- ✓ Anti-corrosion
- ✓ PVT ventilation
- ✓ Fastening screws



Technical specifications



EAN code **8020584229576** Axle **Front and rear**

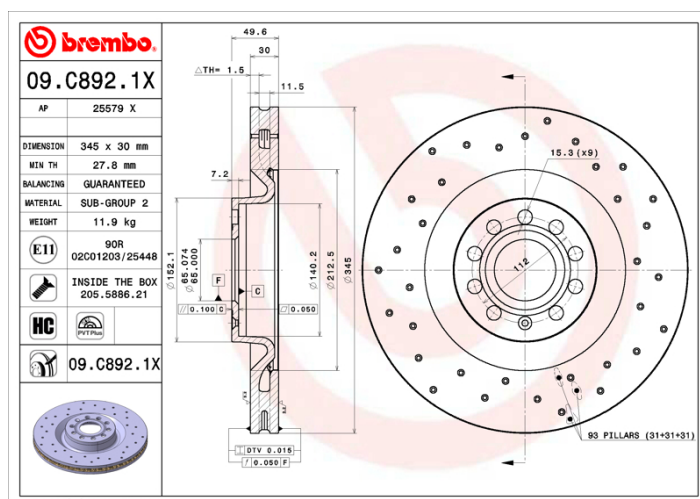
Thickness (TH) **30 mm** Height (A) **50 mm**

Brake disc type **Ventilated** Centering (B) **65 mm**

Diameter Ø **345 mm**

Number of holes (C) **5**

Min. thickness **27,8 mm**



COMPATIBLE VEHICLES

COMPATIBLE OE PART NUMBERS

1K0615301AB	AUDI
-------------	------

1K0615301AR	AUDI
-------------	------

1K0615301M	AUDI
------------	------

1K0615301AB	SEAT
-------------	------

1K0615301M	SEAT
------------	------

1K0615301AB	SKODA
-------------	-------

1K0615301AR	SKODA
-------------	-------

1K0615301M	SKODA
------------	-------

1K0615301AB	VW
-------------	----

1K0615301AR	VW
-------------	----

1K0615301M	VW
------------	----