



BRAKE DISC PAINTED

09.D251.11

The 09.D251.11 painted brake disc is synonymous with reliability

The Brembo brake disc with special UV paint treatment guarantees superior corrosion resistance for the product, thanks to the protective coating on the outer edges and on the disc hub. The UV paint not only gives the disc a clean, shiny appearance but is also beneficial for the environment as the water-based UV paint treatment does not require the use of chemical solvents and is a low energy consumption process.

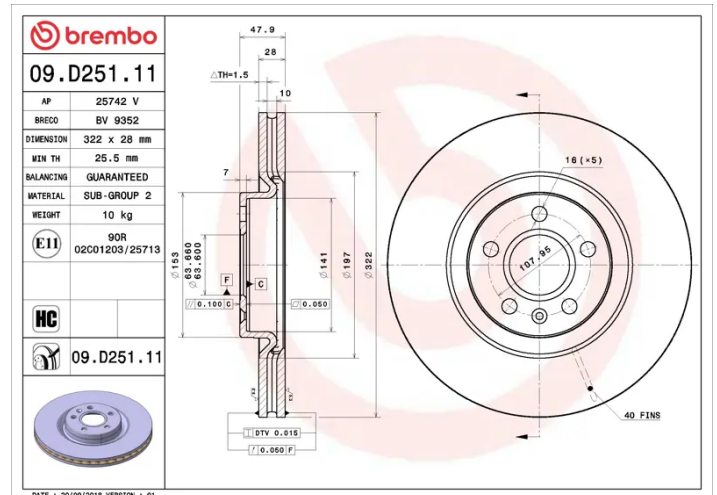
- ✓ OE-equivalent
- ✓ Brembo quality
- ✓ ECE-R90 certificate
- ✓ Safety
- ✓ High carbon
- ✓ Anti-corrosion



Technical specifications



EAN code 8020584234655	Axle Front	Diameter Ø 322 mm
Thickness (TH) 28 mm	Height (A) 47 mm	Number of holes (C) 5
Brake disc type Ventilated	Centering (B) 64 mm	Min. thickness 25,5 mm



COMPATIBLE VEHICLES

COMPATIBLE OE PART NUMBERS

8888942464 LYNK & CO

8889033004 LYNK & CO

8889061584 LYNK & CO

8890801403 LYNK & CO

31423724 VOLVO

31471413 VOLVO

31665446 VOLVO

32217561 VOLVO

32233185 VOLVO

32254356 VOLVO

32300122 VOLVO

31665446 VOLVO ASIA

32217561 VOLVO ASIA

32233185 VOLVO ASIA

32300122 VOLVO ASIA
