



BRAKE DISC PAINTED

09.D768.11

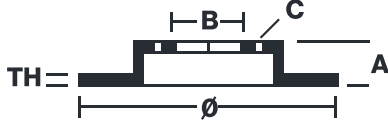
The **09.D768.11** painted brake disc is synonymous with reliability

The Brembo brake disc with special UV paint treatment guarantees superior corrosion resistance for the product, thanks to the protective coating on the outer edges and on the disc hub. The UV paint not only gives the disc a clean, shiny appearance but is also beneficial for the environment as the water-based UV paint treatment does not require the use of chemical solvents and is a low energy consumption process.

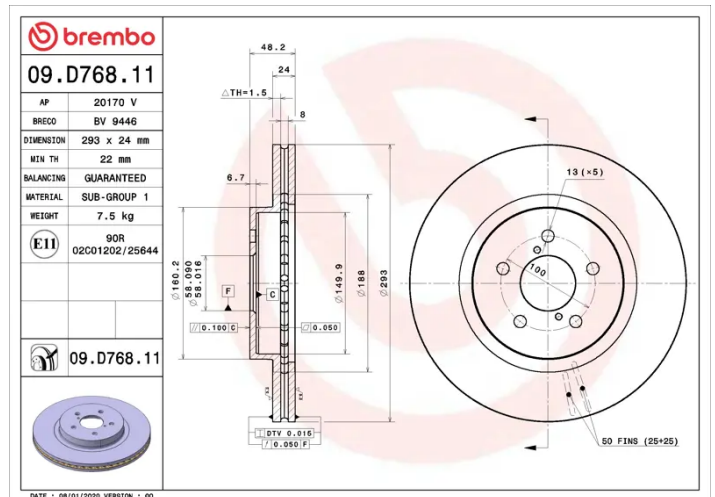


- ✓ OE-equivalent
- ✓ Brembo quality
- ✓ ECE-R90 certificate
- ✓ Safety
- ✓ Anti-corrosion

Technical specifications



AP	20170 V	Diameter Ø	293 mm
BRECO	BV 9446	Number of holes (C)	5
DIMENSION	293 x 24 mm	Min. thickness	22 mm
MIN TH	22 mm		
BALANCING	GUARANTEED		
MATERIAL	SUB-GROUP 1		
WEIGHT	7.5 kg		
	90R		
	02C01202/25644		
	09.D768.11		



COMPATIBLE VEHICLES

COMPATIBLE OE PART NUMBERS

26300FL010

SUBARU