



BRAKE DISC COMPOSITE

09.D901.13

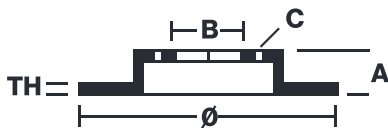
Composite brake disc 09.D901.13 belongs to Brembo Premium Line

The Composite brake disc is dedicated to the highest-performance BMW applications and is perfectly interchangeable with the original disc. It has an aluminium hat connected to the special cast iron braking surface by steel pins. This solution makes the disc lighter for improved handling of the car.



- ✓ OE-equivalent
- ✓ Brembo quality
- ✓ ECE-R90 certificate
- ✓ Weight reduction
- ✓ High carbon
- ✓ Bi-Material Brake Disc
- ✓ Anti-corrosion
- ✓ PVT ventilation
- ✓ Fastening screws
- ✓ Fading resistance

Technical specifications



EAN code
8020584238325

Axle
Rear

Diameter Ø
370 mm

Thickness (TH)
24 mm

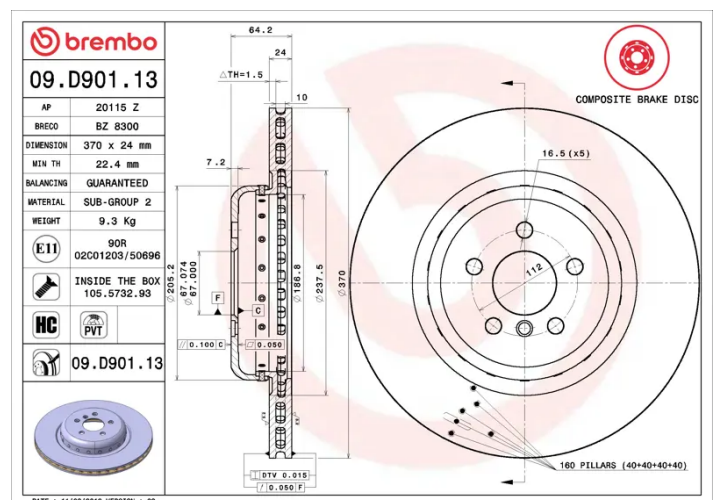
Height (A)
64 mm

Number of holes (C)
5

Brake disc type
Ventilated

Centering (B)
67 mm

Min. thickness
22,4 mm



COMPATIBLE OE PART NUMBERS

34206880080 BMW

34206898493 BMW

34206898494 BMW

34216860927 BMW
