



DRUM

14.6787.10

The 14.6787.10 drum is synonymous with reliability

Brembo has developed several design solutions for drum brakes which combine multiple materials to reduce the overall weight. The most popular range of lamellar graphite cast iron drums is supplemented by cast iron drums with a steel sprocket flange and aluminium drums, whereby only the inner part of the drum on which the shoes operate are made of lamellar cast iron, namely the brake band. Additionally drums with built-in bearing kit and hub are added to this range.



- ✓ OE-equivalent
- ✓ Brembo quality
- ✓ Safety
- ✓ Durability

Technical specifications



EAN code
8020584678718

Axle
Rear

Diameter
180 mm

Width
42 mm

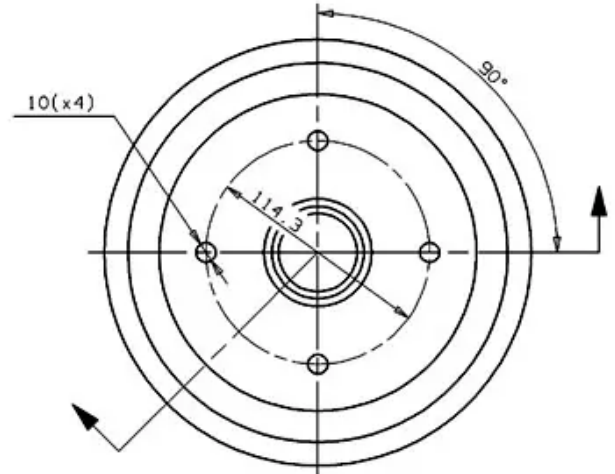
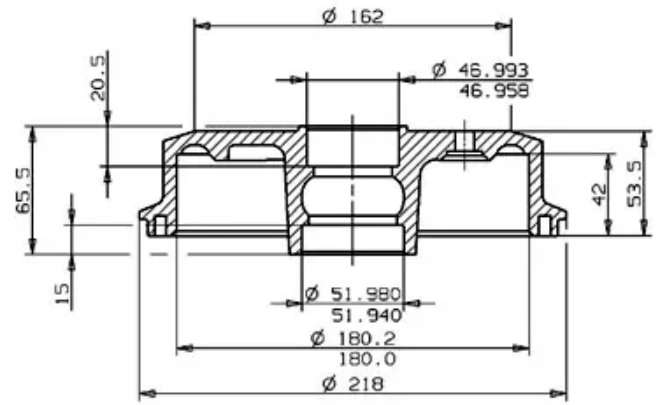
Height
65,5

Number of holes
4

Centering
47 mm

Max diameter
182 mm

	SUZUKI	P.N. : 43511-82001/82002	14.6787.10
	PONTIAC	P.N. : 96055135	
	CHEVROLET	P.N. : 96055135/96053404	
	CUSTOMER	P.N. :	
			Date 25.03.97



Max. DIA. 182 mm
Weight 4 Kg

COMPATIBLE OE PART NUMBERS

96053404	CHEVROLET
96055135	CHEVROLET
96055135	PONTIAC
43511820012	SUZUKI