



# BRAKE PAD PRIME CERAMIC P06065N

The P06065N NAO brake pad is synonymous with reliability

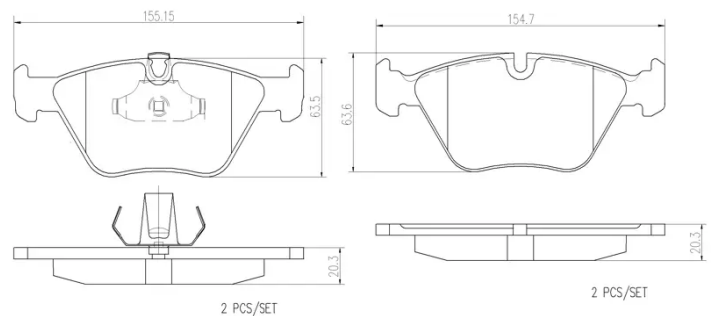
Brembo NAO brake pads stand out for their ultimate braking comfort, reduced friction wear and low dust mission, which makes for cleaner rims and reduced maintenance requirements. The advanced friction material in keeping with the strictest environmental standards is the main distinguishing feature of NAO compounds.

- ✓ OE-equivalent
- ✓ Brembo quality
- ✓ Safety
- ✓ Comfort
- ✓ Durability
- ✓ Dust reduction
- ✓ With accessories



## Technical specifications

|  |                                  |  |
|--|----------------------------------|--|
| EAN code<br><b>8020584109991</b>                     | Axle<br><b>Front</b>             | Thickness<br><b>20 mm</b>  |
| Width<br><b>155 mm</b>                               | Height<br><b>64 mm</b>           | Braking system<br><b>Teves</b>   |
| Wear indicator<br><b>Prepared for wear indicator</b> | WVA number<br><b>21677,21990</b> | Accessories<br><b>With anti-squeal shim</b><br><b>With piston clip</b> |



COMPATIBLE VEHICLES

## COMPATIBLE OE PART NUMBERS

34111164627 BMW

---

34111164629 BMW

---

34112157586 BMW

---

34112157590 BMW

---

34116761278 BMW

---

34116761280 BMW

---