



BRAKE PAD XTRA CERAMIC P23175NX

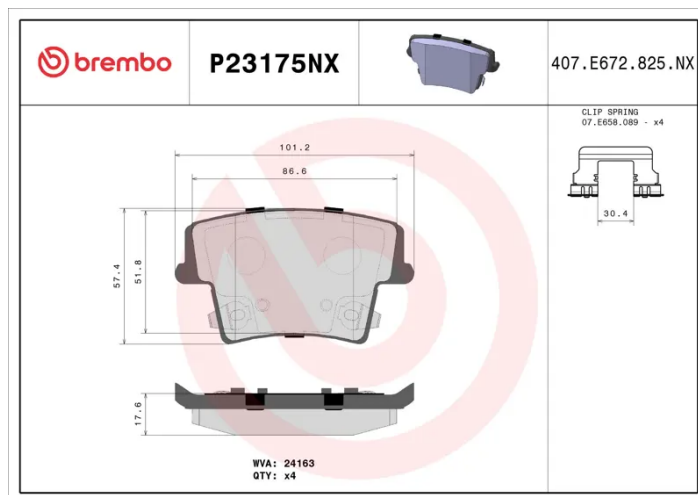
Xtra Ceramic brake pad P23175NX belongs to Brembo Cool Line

Brembo Xtra Ceramic brake pads have a specific compound which, beside being copper free, also contains less metal compared to Xtra pads. This feature make Xtra Ceramic more focused on comfort and cleaner rims, thanks to the ceramic friction material, while guaranteeing the top performance proper of the Xtra line. Xtra Ceramic range is fully ECE R90 homologated.

- ✓ Brembo quality
- ✓ ECE-R90 certificate
- ✓ Safety
- ✓ Performance
- ✓ Dust reduction
- ✓ Comfort

Technical specifications

EAN code 8020584131046	Axle Rear	Thickness 18 mm
Width 101 mm	Height 58 mm	Braking system Bosch
Wear indicator Acoustic	WVA number 24163	Accessories With anti-squeal shim



COMPATIBLE OE PART NUMBERS

05139191AA CHRYSLER

05142561AA CHRYSLER

05142566AA CHRYSLER

05142566AB CHRYSLER

05142566AC CHRYSLER

5139191AA CHRYSLER

5142561AA CHRYSLER

5142566AA CHRYSLER

5142566AB CHRYSLER

5142566AC CHRYSLER

K05142566AC CHRYSLER

5142566AC DODGE

K05142561AA FIAT

K05142566AB FIAT

K05139191AA LANCIA

K05142558AB LANCIA

K05142561AB LANCIA

K05142566AA LANCIA

K05142566AB LANCIA

K05142566AC LANCIA
