



# BRAKE PAD PRIME CERAMIC P30056N

The P30056N NAO brake pad is synonymous with reliability

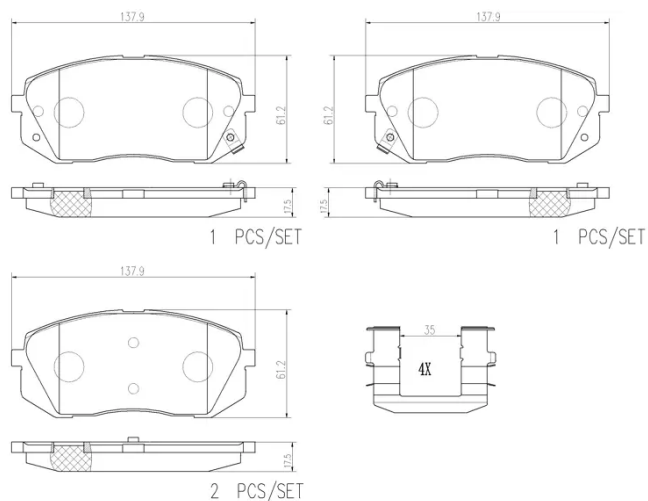
Brembo NAO brake pads stand out for their ultimate braking comfort, reduced friction wear and low dust mission, which makes for cleaner rims and reduced maintenance requirements. The advanced friction material in keeping with the strictest environmental standards is the main distinguishing feature of NAO compounds.

- ✓ OE-equivalent
- ✓ Brembo quality
- ✓ Safety
- ✓ Comfort
- ✓ Durability
- ✓ Dust reduction
- ✓ With accessories



## Technical specifications

EAN code <b>8020584081839</b>	Axle <b>Front</b>	Thickness <b>18 mm</b>
Width <b>138 mm</b>	Height <b>61 mm</b>	Braking system <b>Mando</b>
Wear indicator <b>Acoustic</b>	WVA number <b>24501,25205,25206</b>	Accessories <b>With accessories With anti-squeal shim</b>



COMPATIBLE VEHICLES

## COMPATIBLE OE PART NUMBERS

581012SA70	HYUNDAI
581012SA75	HYUNDAI
581013SA20	HYUNDAI
581013ZA10	HYUNDAI
581013ZA16	HYUNDAI
581013ZA70	HYUNDAI
581013ZA76	HYUNDAI
581014WA10	HYUNDAI
58101BWA00	HYUNDAI
58101BWA10	HYUNDAI
58101C1A20	HYUNDAI
58101C2A20	HYUNDAI
58101CMA10	HYUNDAI
58101J9A15	HYUNDAI
58101K4A05	HYUNDAI
58101D4A10	HYUNDAI (BEIJING)
58101F8A00	HYUNDAI (BEIJING)
581012SA50	KIA
581012SA51	KIA
581012YA00	KIA
581012YA50	KIA
581013RA05	KIA
581013RA60	KIA
58101A2A35	KIA
58101B2A60	KIA
58101B2A80	KIA
58101B2A90	KIA
58101D5A10	KIA
58101D7A50	KIA
58101E4A00	KIA
58101E4A10	KIA
58101E4A60	KIA
58101K4A00	KIA
58101M7A10	KIA
58101R2A10	KIA
S581012SA70	KIA
581012SA50	KIA (DYK)
58101F8A00	KIA (DYK)