



# BRAKE PAD NAO P30124N

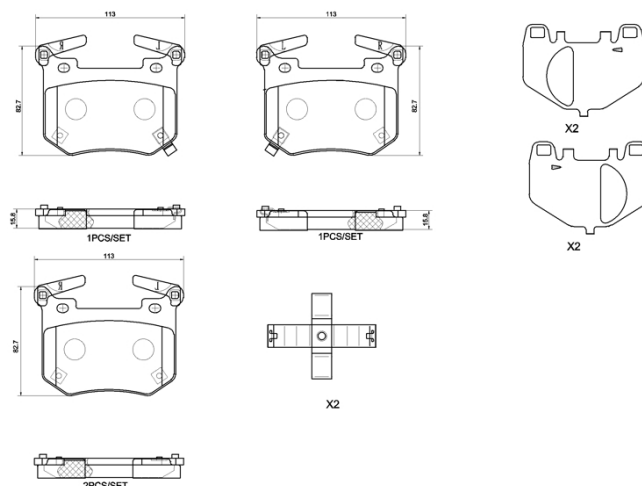
The P30124N NAO brake pad is synonymous with reliability

Brembo NAO brake pads stand out for their ultimate braking comfort, reduced friction wear and low dust mission, which makes for cleaner rims and reduced maintenance requirements. The advanced friction material in keeping with the strictest environmental standards is the main distinguishing feature of NAO compounds.

- ✓ OE-equivalent
- ✓ Brembo quality
- ✓ Safety
- ✓ Comfort
- ✓ Durability
- ✓ Dust reduction
- ✓ With accessories

## Technical specifications

EAN code <b>8020584119228</b>	Axle <b>Rear</b>	Thickness <b>16 mm</b>
Width <b>113 mm</b>	Height <b>83 mm</b>	Braking system <b>Brembo</b>
Wear indicator <b>Acoustic</b>	WVA number <b>22875,22873,22874</b>	Accessories <b>With accessories</b> <b>With anti-squeal shim</b> <b>With counterweights</b>



## COMPATIBLE OE PART NUMBERS

58302J5A50	KIA
58302J5A55	KIA