



# BRAKE PAD NAO

## P37005N

The P37005N NAO brake pad is synonymous with reliability

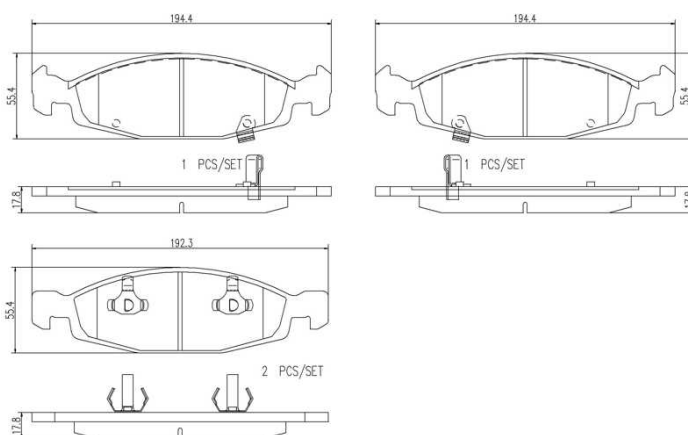
Brembo NAO brake pads stand out for their ultimate braking comfort, reduced friction wear and low dust mission, which makes for cleaner rims and reduced maintenance requirements. The advanced friction material in keeping with the strictest environmental standards is the main distinguishing feature of NAO compounds.

- ✓ OE-equivalent
- ✓ Brembo quality
- ✓ Safety
- ✓ Comfort
- ✓ Durability
- ✓ Dust reduction
- ✓ With accessories



### Technical specifications

EAN code <b>8020584098189</b>	Axle <b>Front</b>	Thickness <b>18 mm</b>
Width <b>192 mm</b>	Height <b>55 mm</b>	Braking system <b>Teves</b>
Wear indicator <b>Acoustic</b>	WVA number <b>23631,23632,23633</b>	Accessories <b>With accessories</b> <b>With anti-squeal shim</b> <b>With piston clip</b>



COMPATIBLE VEHICLES

## COMPATIBLE OE PART NUMBERS

05018592AA	CHRYSLER
------------	----------

5018592AA	CHRYSLER
-----------	----------

5018592AB	CHRYSLER
-----------	----------

05011969AA	JEEP
------------	------

05018592AA	JEEP
------------	------

5011969AA	JEEP
-----------	------

K5011969AA	JEEP
------------	------

K5018592AB	JEEP
------------	------