



BRAKE PAD PRIME CERAMIC P50033N

The P50033N NAO brake pad is synonymous with reliability

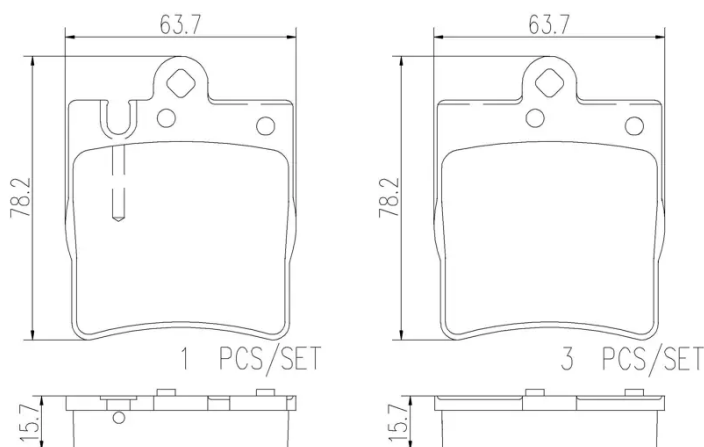
Brembo NAO brake pads stand out for their ultimate braking comfort, reduced friction wear and low dust mission, which makes for cleaner rims and reduced maintenance requirements. The advanced friction material in keeping with the strictest environmental standards is the main distinguishing feature of NAO compounds.

- ✓ OE-equivalent
- ✓ Brembo quality
- ✓ Safety
- ✓ Comfort
- ✓ Durability
- ✓ Dust reduction
- ✓ With accessories



Technical specifications

EAN code 8020584098424	Axle Rear	Thickness 16 mm
Width 64 mm	Height 78 mm	Braking system Teves
Wear indicator Prepared for wear indicator	WVA number 21898,21899	Accessories With anti-squeal shim



COMPATIBLE VEHICLES

COMPATIBLE OE PART NUMBERS

0024205220 MERCEDES-BENZ

0034202820 MERCEDES-BENZ

00342028200090 MERCEDES-BENZ

003420282041 MERCEDES-BENZ

0034205220 MERCEDES-BENZ

003420522041 MERCEDES-BENZ

0054201920 MERCEDES-BENZ

A0024205220 MERCEDES-BENZ

A0034202820 MERCEDES-BENZ

A00342028200090 MERCEDES-BENZ

A0034205220 MERCEDES-BENZ

A0054201920 MERCEDES-BENZ

A005420192041 MERCEDES-BENZ
