



BRAKE PAD PRIME CERAMIC P79005N

The P79005N NAO brake pad is synonymous with reliability

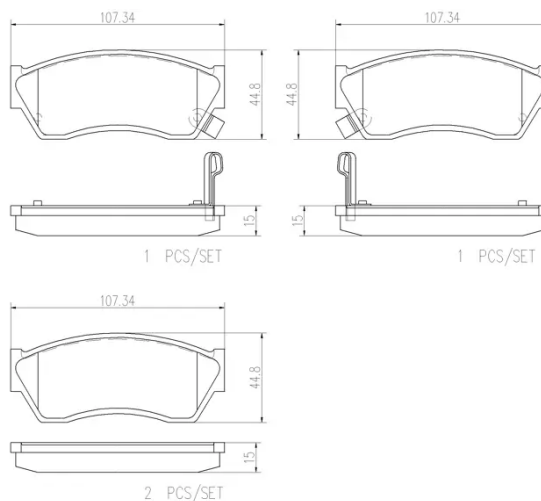
Brembo NAO brake pads stand out for their ultimate braking comfort, reduced friction wear and low dust mission, which makes for cleaner rims and reduced maintenance requirements. The advanced friction material in keeping with the strictest environmental standards is the main distinguishing feature of NAO compounds.

- ✓ OE-equivalent
- ✓ Brembo quality
- ✓ Safety
- ✓ Comfort
- ✓ Durability
- ✓ Dust reduction
- ✓ With accessories



Technical specifications

EAN code 8020584085028	Axle Front	Thickness 15 mm
Width 107 mm	Height 45 mm	Braking system Sumitomo
Wear indicator Acoustic	WVA number 21333,21335,21334	Accessories With anti-squeal shim



COMPATIBLE OE PART NUMBERS

91171400 GENERAL MOTORS

91173482 GENERAL MOTORS

96063109 GENERAL MOTORS

96065586 GENERAL MOTORS

96065587 GENERAL MOTORS

5520060B11 SUBARU

5520061880 SUBARU

552000000 SUZUKI

5520051810 SUZUKI

5520051810000 SUZUKI

5520051811 SUZUKI

5520051811000 SUZUKI

5520060870 SUZUKI

5520060870000 SUZUKI

5520060B10 SUZUKI

5520060B10000 SUZUKI

5520061850 SUZUKI

5520061850000 SUZUKI

5520061890 SUZUKI

5520061890000 SUZUKI

5520062840 SUZUKI

5520062840000 SUZUKI

5520062860 SUZUKI

5520062860000 SUZUKI

5520085810 SUZUKI

5520085810000 SUZUKI

5520086810 SUZUKI

5520086820 SUZUKI

5520086830 SUZUKI

5520086830000 SUZUKI

5521060B80 SUZUKI

5521060B80000 SUZUKI

5521086010 SUZUKI

5521086010000 SUZUKI

5521086020 SUZUKI

5521086020000 SUZUKI

5521086030 SUZUKI

5522086030 SUZUKI

5523060B80 SUZUKI

5523060B80000 SUZUKI

5523086030 SUZUKI

5525060B30 SUZUKI

5525060B30000 SUZUKI

5525060B80 SUZUKI

5525070C10 SUZUKI

5525070C10000	SUZUKI
5525160830	SUZUKI
5525160830000	SUZUKI
5525160B30	SUZUKI
5525160B30000	SUZUKI
5525160B80	SUZUKI
5525170C10	SUZUKI
5525170C10000	SUZUKI
5525170C12	SUZUKI
5525170C12000	SUZUKI
5530086810	SUZUKI
5530086820	SUZUKI
5580050G50	SUZUKI
5580050G50000	SUZUKI
5580050G60	SUZUKI
5580050G60000	SUZUKI
55200C61880000	SUZUKI (CHANGAN)