



BRAKE PAD NAO P79029N

The P79029N NAO brake pad is synonymous with reliability

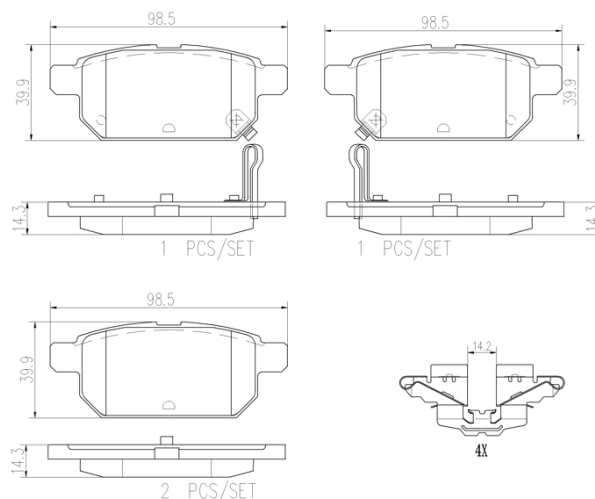
Brembo NAO brake pads stand out for their ultimate braking comfort, reduced friction wear and low dust mission, which makes for cleaner rims and reduced maintenance requirements. The advanced friction material in keeping with the strictest environmental standards is the main distinguishing feature of NAO compounds.

- ✓ OE-equivalent
- ✓ Brembo quality
- ✓ Safety
- ✓ Comfort
- ✓ Durability
- ✓ Dust reduction
- ✓ With accessories



Technical specifications

EAN code 8020584085714	Axle Rear	Thickness 14 mm
Width 99 mm	Height 40 mm	Braking system Akebono
Wear indicator Acoustic	WVA number 25258,25259,25260	Accessories With accessories With anti-squeal shim



COMPATIBLE VEHICLES

COMPATIBLE OE PART NUMBERS

D4M603AW0A NISSAN

5580052R00 SUZUKI

5580052R00000 SUZUKI

5580052R01 SUZUKI

5580052R01000 SUZUKI

5580061M00 SUZUKI

5580061M00000 SUZUKI

5580061M01 SUZUKI

5580061M01000 SUZUKI

5580061M02 SUZUKI

5580061M02000 SUZUKI

5580061M10 SUZUKI

5580061M11 SUZUKI

5580068L00 SUZUKI

5580068L00000 SUZUKI

5580068L10 SUZUKI

5580068L10000 SUZUKI

5580068L20 SUZUKI

5580068L20000 SUZUKI

5580068L21 SUZUKI

5580068L21000 SUZUKI

5580068R00 SUZUKI

5580068R00000 SUZUKI

5580068R10 SUZUKI

5580068R10000 SUZUKI

5580068R11 SUZUKI

5580068R12 SUZUKI

55910M68P00 SUZUKI

55910M68P01 SUZUKI