



BRAKE PAD NAO P85088N

The P85088N NAO brake pad is synonymous with reliability

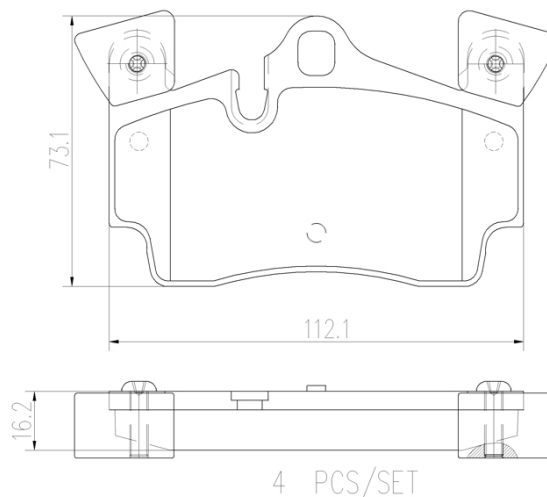
Brembo NAO brake pads stand out for their ultimate braking comfort, reduced friction wear and low dust mission, which makes for cleaner rims and reduced maintenance requirements. The advanced friction material in keeping with the strictest environmental standards is the main distinguishing feature of NAO compounds.

- ✓ OE-equivalent
- ✓ Brembo quality
- ✓ Safety
- ✓ Comfort
- ✓ Durability
- ✓ Dust reduction
- ✓ With accessories



Technical specifications

EAN code	Axle	Thickness
8020584082102	Rear	16 mm
Width	Height	Braking system
112 mm	73 mm	Brembo
Wear indicator	WVA number	Accessories
Prepared for wear indicator	24010	With counterweights With anti-squeal shim



COMPATIBLE VEHICLES

COMPATIBLE OE PART NUMBERS

7L5698451	AUDI
-----------	------

95535293950	PORSCHE
-------------	---------

95535293951	PORSCHE
-------------	---------

958698451A	PORSCHE
------------	---------

7L5698451	SEAT
-----------	------

7L5698451	SKODA
-----------	-------

7L0615415B	VW
------------	----

7L5698451	VW
-----------	----