



BRAKE PAD

P 06 116

The P 06 116 brake pad is synonymous with reliability

The Brembo brake pad guarantees ultimate safety when braking thanks to the use of more than 100 different compounds, designed according to the type of vehicle and use. Stopping distances reduced to a minimum, maximum driving comfort and silent operation are the most important features of Brembo materials. Brembo brake pads are supplied together with an extensive range of accessories and assembly kits for professional-standard installation.



- ✓ OE-equivalent
- ✓ Brembo quality
- ✓ ECE-R90 certificate
- ✓ Safety
- ✓ Performance
- ✓ Comfort
- ✓ With accessories

Technical specifications

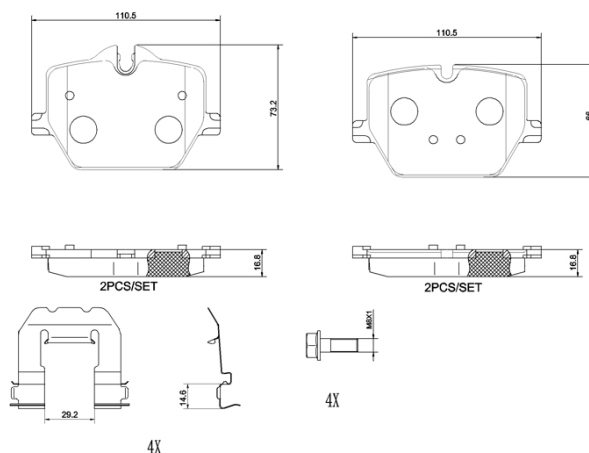
EAN code Thickness
8020584118184 **17 mm**

Width Height
111 mm **73 mm**

Wear indicator WVA number
Prepared for wear indicator **21474,21475**

Braking system
TRW

Accessories
With accessories
With anti-squeal shim
With brake caliper bolts



COMPATIBLE OE PART NUMBERS

34206888835	BMW
04466WAA03	TOYOTA