



BRAKE PAD

P 23 160

The P 23 160 brake pad is synonymous with reliability

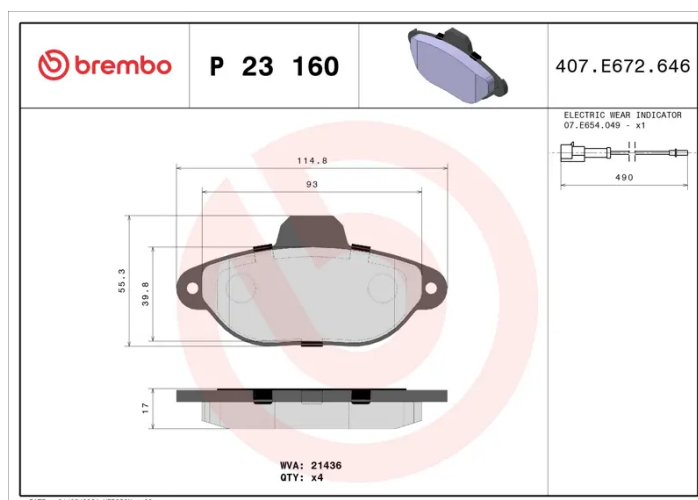
The Brembo brake pad guarantees ultimate safety when braking thanks to the use of more than 100 different compounds, designed according to the type of vehicle and use. Stopping distances reduced to a minimum, maximum driving comfort and silent operation are the most important features of Brembo materials. Brembo brake pads are supplied together with an extensive range of accessories and assembly kits for professional-standard installation.

- ✓ OE-equivalent
- ✓ Brembo quality
- ✓ ECE-R90 certificate
- ✓ Safety
- ✓ Performance
- ✓ Comfort



Technical specifications

EAN code	Axle	Thickness
8020584110096	Front	17 mm
Width	Height	Braking system
115 mm	55 mm	Bendix
Wear indicator	WVA number	
Electric	21436	



COMPATIBLE VEHICLES

COMPATIBLE OE PART NUMBERS

5892736	FIAT
---------	------

71737178	FIAT
----------	------

71772226	FIAT
----------	------
