



BRAKE PAD

P 23 201

The P 23 201 brake pad is synonymous with reliability

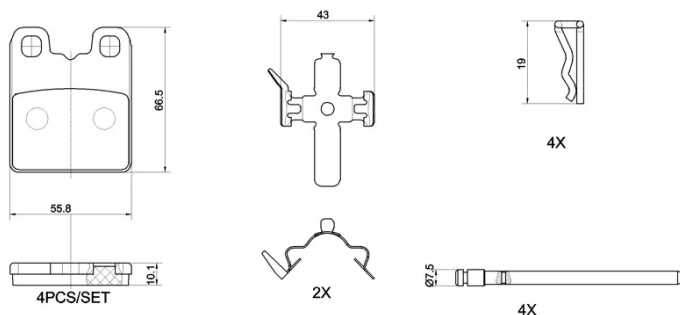
The Brembo brake pad guarantees ultimate safety when braking thanks to the use of more than 100 different compounds, designed according to the type of vehicle and use. Stopping distances reduced to a minimum, maximum driving comfort and silent operation are the most important features of Brembo materials. Brembo brake pads are supplied together with an extensive range of accessories and assembly kits for professional-standard installation.

- ✓ OE-equivalent
- ✓ Brembo quality
- ✓ ECE-R90 certificate
- ✓ Safety
- ✓ Performance
- ✓ Comfort
- ✓ With accessories



Technical specifications

EAN code	Axle	Thickness
8020584125878	Rear	10 mm
Width	Height	
56 mm	66 mm	
Wear indicator	Accessories	
Without	With accessories	
	With anti-squeal shim	
	With piston clip	



COMPATIBLE VEHICLES

COMPATIBLE OE PART NUMBERS

68367293AA ALFA ROMEO

77367680 ALFA ROMEO

77368182 ALFA ROMEO

77369156 ALFA ROMEO

84935101 CHEVROLET

84935102 CHEVROLET

673007248 MASERATI
