



BRAKE PAD

P 30 066

The P 30 066 brake pad is synonymous with reliability

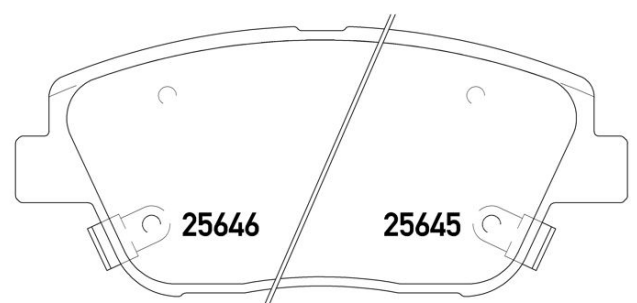
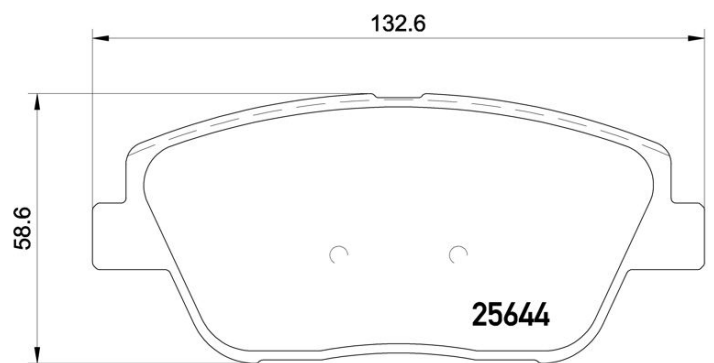
The Brembo brake pad guarantees ultimate safety when braking thanks to the use of more than 100 different compounds, designed according to the type of vehicle and use. Stopping distances reduced to a minimum, maximum driving comfort and silent operation are the most important features of Brembo materials. Brembo brake pads are supplied together with an extensive range of accessories and assembly kits for professional-standard installation.



- ✓ OE-equivalent
- ✓ Brembo quality
- ✓ ECE-R90 certificate
- ✓ Safety
- ✓ Performance
- ✓ Comfort
- ✓ With accessories

Technical specifications

EAN code	Axle	Thickness
8020584109809	Front	18 mm
Width	Height	Braking system
133 mm	59 mm	Mando
Wear indicator	WVA number	Accessories
Acoustic	25645,25644,25646	With accessories



COMPATIBLE OE PART NUMBERS

581013QA10	HYUNDAI
581013VA50	HYUNDAI
581012TA00	KIA
581012TA50	KIA
581013QA50	KIA
581013VA50	KIA
581014UA00	KIA
58101D6A10	KIA (DYK)