



# BRAKE PAD

## P 49 047

The P 49 047 brake pad is synonymous with reliability

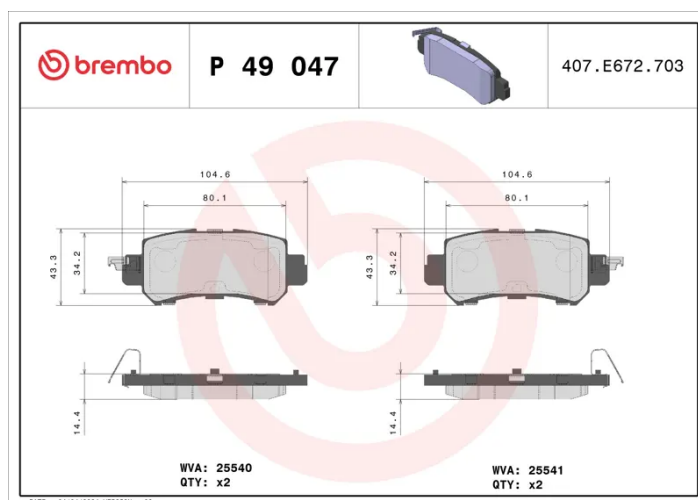
The Brembo brake pad guarantees ultimate safety when braking thanks to the use of more than 100 different compounds, designed according to the type of vehicle and use. Stopping distances reduced to a minimum, maximum driving comfort and silent operation are the most important features of Brembo materials. Brembo brake pads are supplied together with an extensive range of accessories and assembly kits for professional-standard installation.

- ✓ OE-equivalent
- ✓ Brembo quality
- ✓ ECE-R90 certificate
- ✓ Safety
- ✓ Performance
- ✓ Comfort



### Technical specifications

EAN code <b>8020584108963</b>	Axle <b>Rear</b>	Thickness <b>14 mm</b>
Width <b>105 mm</b>	Height <b>43 mm</b>	Braking system <b>Akebono</b>
Wear indicator <b>Acoustic</b>	WVA number <b>25540,25541</b>	Accessories <b>With anti-squeal shim</b>



COMPATIBLE VEHICLES

## COMPATIBLE OE PART NUMBERS

DAY32648Z	MAZDA
-----------	-------

DAY32648ZA	MAZDA
------------	-------

DAY32648ZB	MAZDA
------------	-------

K0Y12648Z	MAZDA
-----------	-------

K0Y12648ZA	MAZDA
------------	-------

K0Y12648ZC	MAZDA
------------	-------

K0Y12648ZC9C	MAZDA
--------------	-------

K0Y12648ZD	MAZDA
------------	-------