



BRAKE PAD

P 50 152

The P 50 152 brake pad is synonymous with reliability

The Brembo brake pad guarantees ultimate safety when braking thanks to the use of more than 100 different compounds, designed according to the type of vehicle and use. Stopping distances reduced to a minimum, maximum driving comfort and silent operation are the most important features of Brembo materials. Brembo brake pads are supplied together with an extensive range of accessories and assembly kits for professional-standard installation.



- ✓ OE-equivalent
- ✓ Brembo quality
- ✓ ECE-R90 certificate
- ✓ Safety
- ✓ Performance
- ✓ Comfort
- ✓ With accessories

Technical specifications

EAN code
8020584115527

Axle
Front

Thickness
19 mm

Width
163 mm

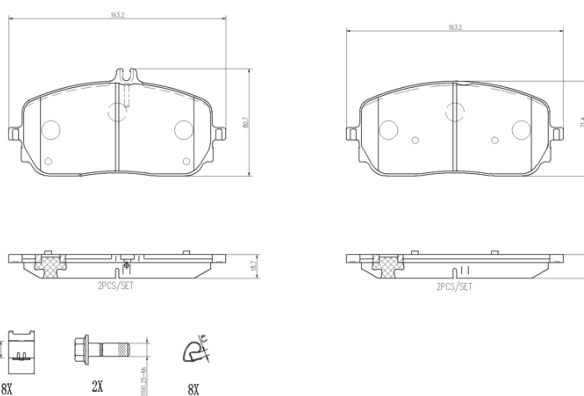
Height
72 mm

Braking system
CBI

Wear indicator
Prepared for wear indicator

WVA number
22945,22944

Accessories
**With accessories
With brake caliper bolts
With anti-squeal shim**



COMPATIBLE VEHICLES

COMPATIBLE OE PART NUMBERS

0004201203 MERCEDES-BENZ

0004202205 MERCEDES-BENZ

0004202905 MERCEDES-BENZ

0004203005 MERCEDES-BENZ

0004203605 MERCEDES-BENZ

0004203905 MERCEDES-BENZ

0004204802 MERCEDES-BENZ

0004204902 MERCEDES-BENZ

0004205403 MERCEDES-BENZ

0004205603 MERCEDES-BENZ

0004206603 MERCEDES-BENZ

0004207200 MERCEDES-BENZ

0004207400 MERCEDES-BENZ

0004208002 MERCEDES-BENZ

0004209902 MERCEDES-BENZ

A0004201203 MERCEDES-BENZ

A0004202205 MERCEDES-BENZ

A0004203005 MERCEDES-BENZ

A0004203605 MERCEDES-BENZ

A0004203905 MERCEDES-BENZ

A0004204802 MERCEDES-BENZ

A0004204902 MERCEDES-BENZ

A0004205403 MERCEDES-BENZ

A0004205603 MERCEDES-BENZ

A0004206603 MERCEDES-BENZ

A0004207200 MERCEDES-BENZ

A0004207400 MERCEDES-BENZ

A0004208002 MERCEDES-BENZ

A0004209902 MERCEDES-BENZ