



# BRAKE PAD

## P 59 091

The P 59 091 brake pad is synonymous with reliability

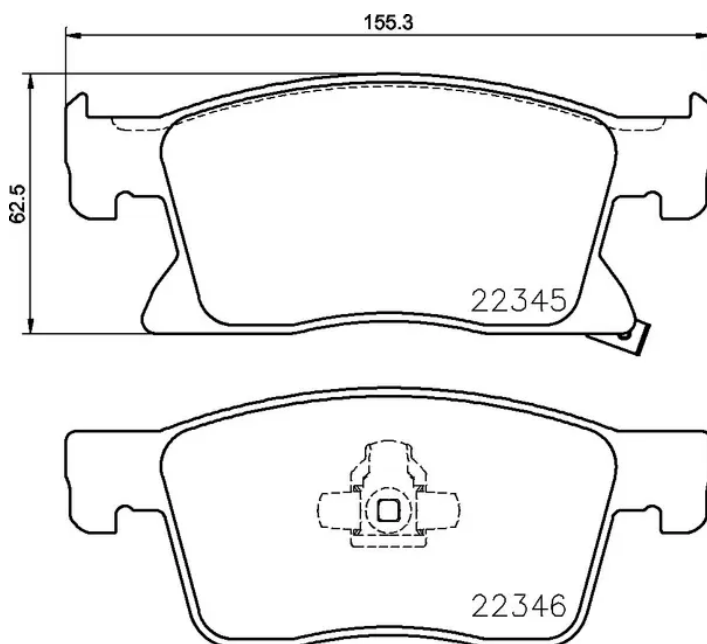
The Brembo brake pad guarantees ultimate safety when braking thanks to the use of more than 100 different compounds, designed according to the type of vehicle and use. Stopping distances reduced to a minimum, maximum driving comfort and silent operation are the most important features of Brembo materials. Brembo brake pads are supplied together with an extensive range of accessories and assembly kits for professional-standard installation.

- ✓ OE-equivalent
- ✓ Brembo quality
- ✓ ECE-R90 certificate
- ✓ Safety
- ✓ Performance
- ✓ Comfort
- ✓ With accessories



### Technical specifications

EAN code <b>8020584084502</b>	Axle <b>Front</b>	Thickness <b>19 mm</b>
Width <b>155 mm</b>	Height <b>63 mm</b>	Braking system <b>Teves</b>
Wear indicator <b>Acoustic</b>	WVA number <b>22345,22346</b>	Accessories <b>With accessories</b> <b>With anti-squeal shim</b> <b>With piston clip</b>



## COMPATIBLE OE PART NUMBERS

13478301	OPEL
----------	------

---

95526567	OPEL
----------	------

---

13478301	VAUXHALL
----------	----------

---

95526567	VAUXHALL
----------	----------

---