



# BRAKE PAD

## P 79 020

The P 79 020 brake pad is synonymous with reliability

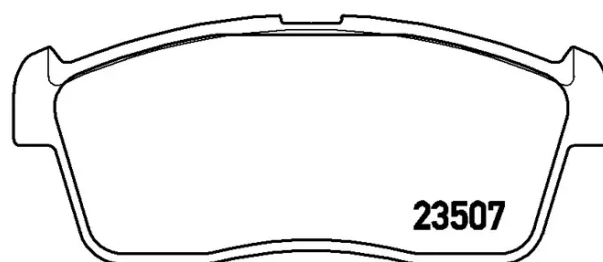
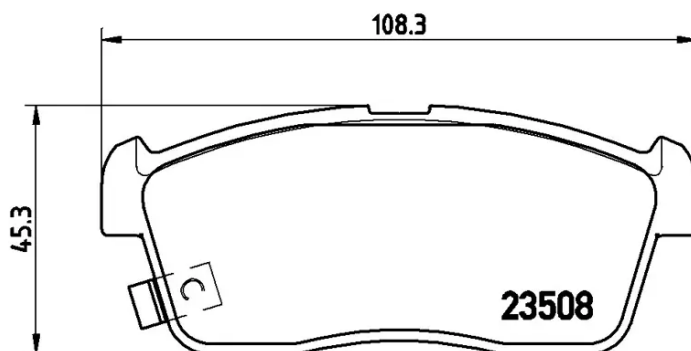
The Brembo brake pad guarantees ultimate safety when braking thanks to the use of more than 100 different compounds, designed according to the type of vehicle and use. Stopping distances reduced to a minimum, maximum driving comfort and silent operation are the most important features of Brembo materials. Brembo brake pads are supplied together with an extensive range of accessories and assembly kits for professional-standard installation.

- ✓ OE-equivalent
- ✓ Brembo quality
- ✓ ECE-R90 certificate
- ✓ Safety
- ✓ Performance
- ✓ Comfort



### Technical specifications

EAN code <b>8020584090879</b>	Axle <b>Front</b>	Thickness <b>17 mm</b>
Width <b>108 mm</b>	Height <b>45 mm</b>	Braking system <b>Sumitomo</b>
Wear indicator <b>Acoustic</b>	WVA number <b>23507,23508</b>	Accessories <b>With anti-squeal shim</b>



## COMPATIBLE OE PART NUMBERS

410604A00B	NISSAN
------------	--------

---

55810M68K00	SUZUKI
-------------	--------

---

55810M68K00000	SUZUKI
----------------	--------

---

55810M68K00L00	SUZUKI
----------------	--------

---

55810M68K10	SUZUKI
-------------	--------

---