



BRAKE PAD

P 85 189

The P 85 189 brake pad is synonymous with reliability

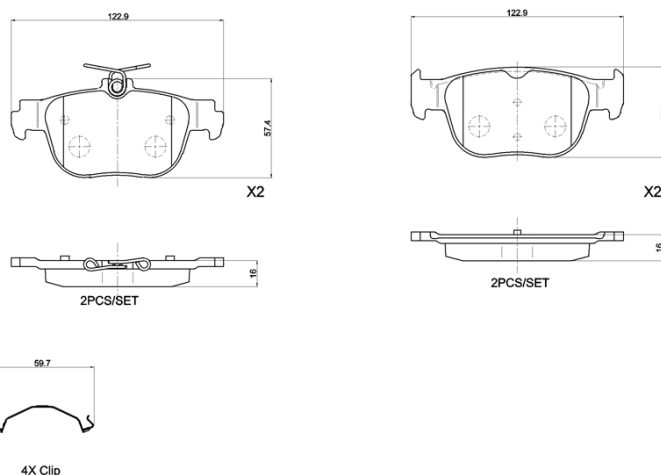
The Brembo brake pad guarantees ultimate safety when braking thanks to the use of more than 100 different compounds, designed according to the type of vehicle and use. Stopping distances reduced to a minimum, maximum driving comfort and silent operation are the most important features of Brembo materials. Brembo brake pads are supplied together with an extensive range of accessories and assembly kits for professional-standard installation.

- ✓ OE-equivalent
- ✓ Brembo quality
- ✓ ECE-R90 certificate
- ✓ Safety
- ✓ Performance
- ✓ Comfort
- ✓ With accessories



Technical specifications

EAN code 8020584120231	Axle Rear	Thickness 16 mm
Width 123 mm	Height 52 mm	Braking system ATE
Wear indicator Without	WVA number 26303,26304	Accessories With accessories With anti-squeal shim



COMPATIBLE VEHICLES

COMPATIBLE OE PART NUMBERS

5WA698451E	AUDI
------------	------

5WA698451G	AUDI
------------	------

2614212	FORD
---------	------

VWN3CA2D390FA	FORD
---------------	------

8Y0698451C	SEAT
------------	------

5WA698451	VW
-----------	----

5WA698451E	VW
------------	----

5WA698451G	VW
------------	----

8Y0698451	VW
-----------	----

LSWD698451	VW (FAW)
------------	----------