



SP BRAKE PAD 07BB20SP

The 07BB20SP brake pad is synonymous with reliability

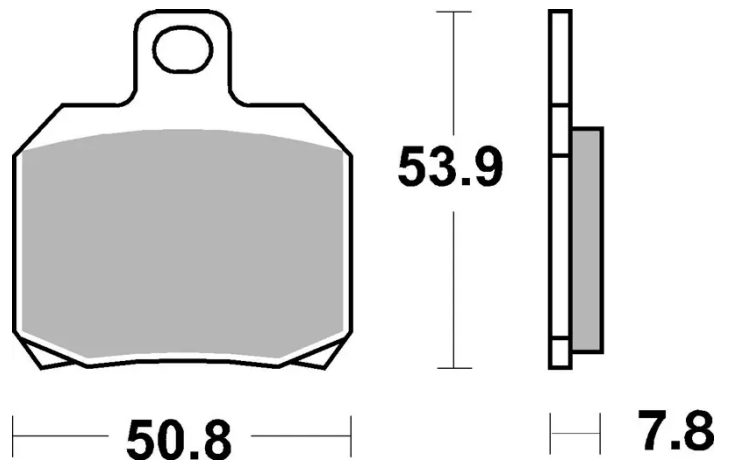
Sintered compound, for rear application and stable in all conditions of use.

- ✓ OE-equivalent
- ✓ Brembo quality
- ✓ ECE-R90 certificate
- ✓ Safety
- ✓ Comfort



Technical specifications

| | | |
|---------------------------|---------------------------|----------------------------|
| Width mm | Height 53,88 mm | Thickness 7,8 mm |
| Compound Sinter | Units per box 2 | |



COMPATIBLE VEHICLES