



BRAKE DISC

08.5366.24

The **08.5366.24** brake disc is synonymous with reliability

The Brembo brake disc is fully interchangeable with an Original Equipment brake disc. The control of the entire production cycle allows Brembo to offer brake discs with outstanding performance levels, reliability, durability and comfort in all conditions of use. All Brembo brake discs are accompanied by the ECE-R90 homologation.

- ✓ OE-equivalent
- ✓ Brembo quality
- ✓ ECE-R90 certificate
- ✓ Safety
- ✓ Fastening screws



Technical specifications



EAN code
8020584013236

Axle
Rear

Diameter \varnothing
280 mm

Thickness (TH)
10 mm

Height (A)
60 mm

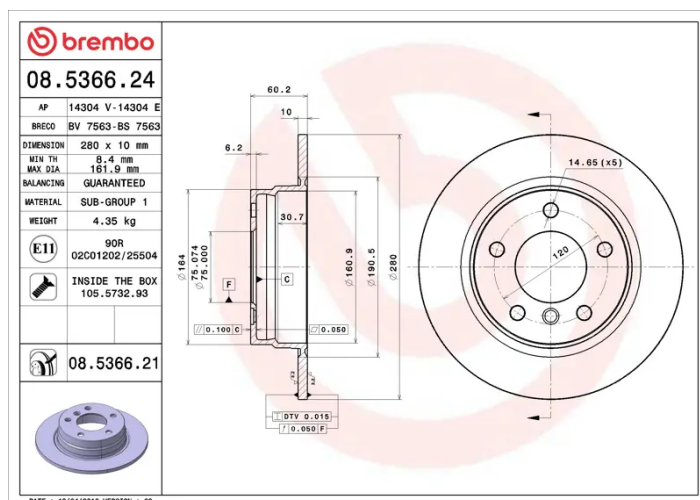
Number of holes (C)
5

Brake disc type
Solid

Centering (B)
75 mm

Min. thickness
8,4 mm

Tightening torque
120 Nm



COMPATIBLE VEHICLES

COMPATIBLE OE PART NUMBERS

31211158936 BMW

34211158936 BMW

34211162284 BMW

34211162289 BMW

34211164401 BMW

34211164511 BMW

34211165457 BMW

34216855158 BMW

34216864051 BMW

34211158936 DE LA CHAPELLE
