



# BRAKE DISC PAINTED

## 08.N258.21

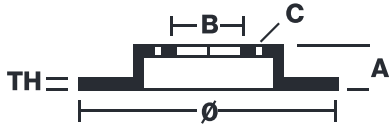
The 08.N258.21 painted brake disc is synonymous with reliability

The Brembo brake disc with special UV paint treatment guarantees superior corrosion resistance for the product, thanks to the protective coating on the outer edges and on the disc hub. The UV paint not only gives the disc a clean, shiny appearance but is also beneficial for the environment as the water-based UV paint treatment does not require the use of chemical solvents and is a low energy consumption process.

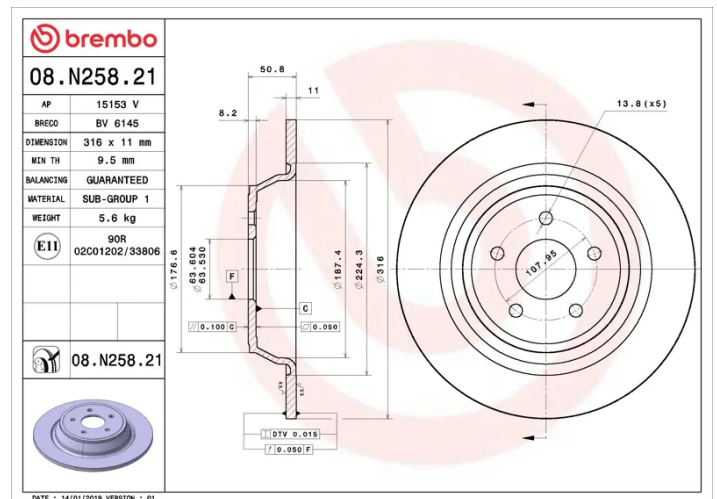
- ✓ OE-equivalent
- ✓ Brembo quality
- ✓ ECE-R90 certificate
- ✓ Safety
- ✓ Anti-corrosion



### Technical specifications



EAN code	Axle	Diameter $\varnothing$
<b>8020584229606</b>	<b>Rear</b>	<b>316 mm</b>
Thickness (TH)	Height (A)	Number of holes (C)
<b>11 mm</b>	<b>51 mm</b>	<b>5</b>
Brake disc type	Centering (B)	Min. thickness
<b>Solid</b>	<b>64 mm</b>	<b>9,5 mm</b>



**COMPATIBLE VEHICLES**

## COMPATIBLE OE PART NUMBERS

2008440 FORD

---

5202205 FORD

---

5338889 FORD

---

DG9C2A315CD FORD

---

GV612A315AA FORD

---

KJ5Z2C026A FORD

---

DG9C2A315CF FORD (CHANGAN)

---

2312261 FORD USA

---

2430220 FORD USA

---

BRRF120 FORD USA

---

DG9Z2C026B FORD USA

---

DG9Z2C026D FORD USA

---

KS7C2A315BA FORD USA

---

KS7C2A315BB FORD USA

---

BRRF120 LINCOLN

---

BRRF314 LINCOLN

---

DG9Z2C026B LINCOLN

---

DG9Z2C026D LINCOLN

---