



BRAKE DISC

09.5254.10

The **09.5254.10** brake disc is synonymous with reliability

The Brembo brake disc is fully interchangeable with an Original Equipment brake disc. The control of the entire production cycle allows Brembo to offer brake discs with outstanding performance levels, reliability, durability and comfort in all conditions of use. All Brembo brake discs are accompanied by the ECE-R90 homologation.

- ✓ OE-equivalent
- ✓ Brembo quality
- ✓ ECE-R90 certificate
- ✓ Safety



Technical specifications



EAN code
8020584525418

Axle
Front

Diameter Ø
280 mm

Thickness (TH)
22 mm

Height (A)
49 mm

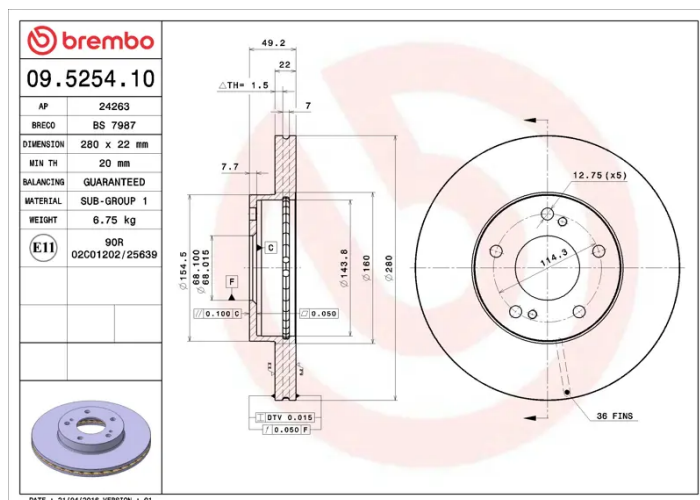
Number of holes (C)
5

Brake disc type
Ventilated

Centering (B)
68 mm

Min. thickness
20 mm

Tightening torque
110 Nm



COMPATIBLE VEHICLES

COMPATIBLE OE PART NUMBERS

402062L903 INFINITI

402062Y003 INFINITI

4020688E01 INFINITI

4020688E05 INFINITI

402062L900 NISSAN

402062L903 NISSAN

402062Y002 NISSAN

402062Y003 NISSAN

4020685F00 NISSAN

40206880 NISSAN

4020688000 NISSAN

40206880000 NISSAN

402068800000 NISSAN

4020688E01 NISSAN

4020688E03 NISSAN

4020688E04 NISSAN

4020688E05 NISSAN

40206WA001 NISSAN
