



BRAKE DISC XTRA

09.5457.3X

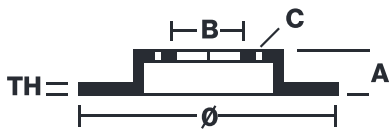
The **09.5457.3X Xtra** brake disc is synonymous with reliability

The Brembo Xtra brake disc features holes on the braking surface. The holes are designed to improve the cooling of the braking system, to generate greater fading resistance and grip in the initial stages of braking. The sports look is also enhanced by the presence of the UV paint.

- ✓ Brembo quality
- ✓ ECE-R90 certificate
- ✓ Performance
- ✓ Sports driving
- ✓ Sporty look
- ✓ High carbon
- ✓ Anti-corrosion
- ✓ Fastening screws



Technical specifications



EAN code
8020584225721

Axle
Front

Diameter \varnothing
262 mm

Thickness (TH)
21 mm

Height (A)
47 mm

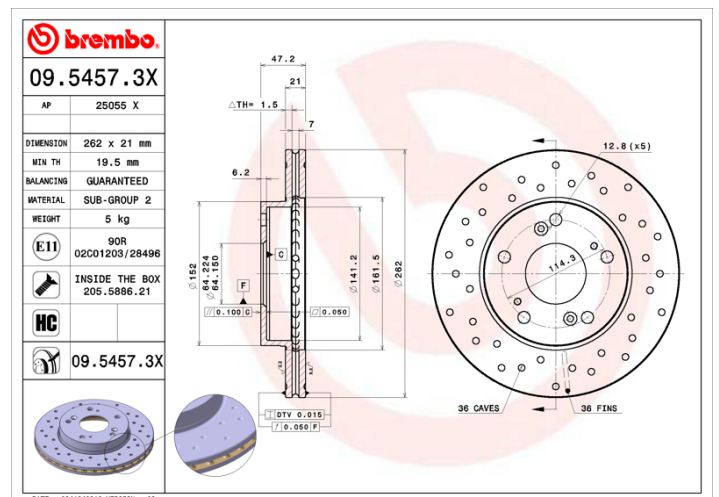
Number of holes (C)
5

Brake disc type
Ventilated

Centering (B)
64 mm

Min. thickness
19,5 mm

Tightening torque
108 Nm



COMPATIBLE VEHICLES

COMPATIBLE OE PART NUMBERS

45251SNA010	ACURA
45251S6M000	HONDA
45251SNA000	HONDA
45251SNA010	HONDA
45251SNEA00	HONDA
45251SNLT00	HONDA
45251SZT000	HONDA
45251SZT010	HONDA
45251SZT020	HONDA
45251SZT030	HONDA
45251SZT040	HONDA
45251SNA000	HONDA (DONGFENG)