



BRAKE DISC

09.6879.20

The 09.6879.20 brake disc is synonymous with reliability

The Brembo brake disc is fully interchangeable with an Original Equipment brake disc. The control of the entire production cycle allows Brembo to offer brake discs with outstanding performance levels, reliability, durability and comfort in all conditions of use. All Brembo brake discs are accompanied by the ECE-R90 homologation.

- ✓ OE-equivalent
- ✓ Brembo quality
- ✓ ECE-R90 certificate
- ✓ Safety



Technical specifications



EAN code
8020584687925

Axle
Front

Diameter Ø
260 mm

Thickness (TH)
24 mm

Height (A)
53 mm

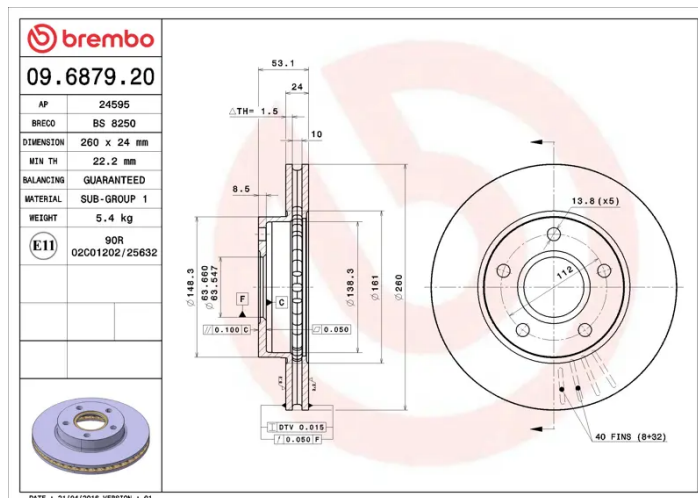
Number of holes (C)
5

Brake disc type
Ventilated

Centering (B)
64 mm

Min. thickness
22,2 mm

Tightening torque
100 Nm



COMPATIBLE VEHICLES

COMPATIBLE OE PART NUMBERS

5022668 FORD

5023441 FORD

5023444 FORD

5027462 FORD

5027463 FORD

6133552 FORD

6158214 FORD

6168109 FORD

6193694 FORD

6450826 FORD

93GX1125AA FORD

93GX1125BA FORD
