



BRAKE DISC

09.7043.10

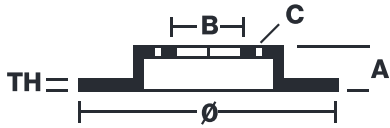
The **09.7043.10** brake disc is synonymous with reliability

The Brembo brake disc is fully interchangeable with an Original Equipment brake disc. The control of the entire production cycle allows Brembo to offer brake discs with outstanding performance levels, reliability, durability and comfort in all conditions of use. All Brembo brake discs are accompanied by the ECE-R90 homologation.

- ✓ OE-equivalent
- ✓ Brembo quality
- ✓ ECE-R90 certificate
- ✓ Safety



Technical specifications



EAN code
8020584704318

Axle
Front

Diameter Ø
256 mm

Thickness (TH)
24 mm

Height (A)
46 mm

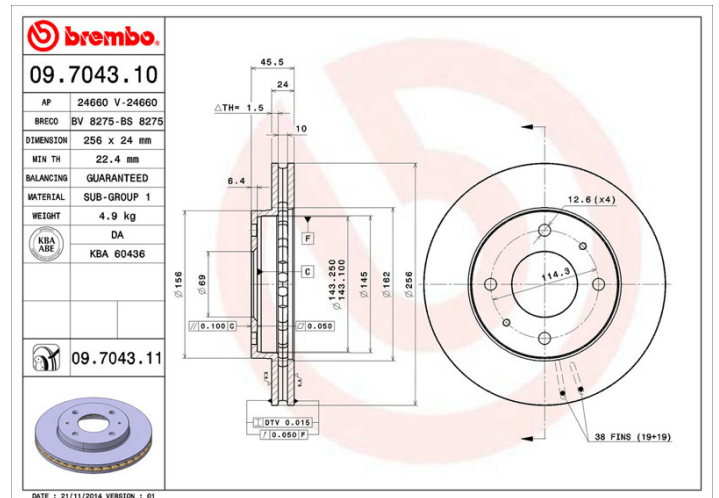
Number of holes (C)
4

Brake disc type
Ventilated

Centering (B)
69 mm

Min. thickness
22,4 mm

Tightening torque
108 Nm



COMPATIBLE OE PART NUMBERS

MB668107	DODGE
MB928995	DODGE
308729268	MITSUBISHI
MB407639	MITSUBISHI
MB668107	MITSUBISHI
MB928994	MITSUBISHI
MB928995	MITSUBISHI
MR128153	MITSUBISHI
MR205584	MITSUBISHI
MR205585	MITSUBISHI
MR389722	MITSUBISHI
MR475330	MITSUBISHI
MR955636	MITSUBISHI
MR955637	MITSUBISHI
MB928994	PROTON
MR475330	PROTON
MR955637	PROTON
PW820578	PROTON