



BRAKE DISC PAINTED

09.9505.11

The 09.9505.11 painted brake disc is synonymous with reliability

The Brembo brake disc with special UV paint treatment guarantees superior corrosion resistance for the product, thanks to the protective coating on the outer edges and on the disc hub. The UV paint not only gives the disc a clean, shiny appearance but is also beneficial for the environment as the water-based UV paint treatment does not require the use of chemical solvents and is a low energy consumption process.

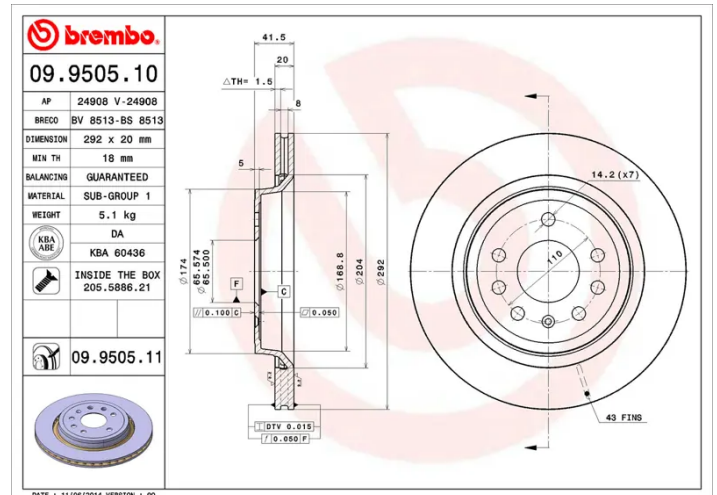
- ✓ OE-equivalent
- ✓ Brembo quality
- ✓ ECE-R90 certificate
- ✓ Safety
- ✓ Anti-corrosion
- ✓ Fastening screws



Technical specifications



EAN code 8020584015957	Axle Rear	Diameter Ø 292 mm
Thickness (TH) 20 mm	Height (A) 42 mm	Number of holes (C) 5
Brake disc type Ventilated	Centering (B) 66 mm	Min. thickness 18 mm
Tightening torque 120 Nm		



COMPATIBLE VEHICLES

COMPATIBLE OE PART NUMBERS

93188378 CADILLAC

93171778 CHEVROLET

46836490 FIAT

71772548 FIAT

569114 OPEL

93171778 OPEL

95526644 OPEL

12762291 SAAB

9191336 SAAB

93188378 SAAB

93171778 VAUXHALL

95526644 VAUXHALL
