



BRAKE DISC

09.A402.10

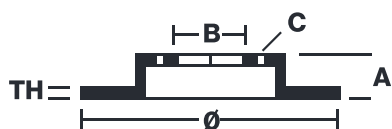
The **09.A402.10** brake disc is synonymous with reliability

The Brembo brake disc is fully interchangeable with an Original Equipment brake disc. The control of the entire production cycle allows Brembo to offer brake discs with outstanding performance levels, reliability, durability and comfort in all conditions of use. All Brembo brake discs are accompanied by the ECE-R90 homologation.

- ✓ OE-equivalent
- ✓ Brembo quality
- ✓ ECE-R90 certificate
- ✓ Safety
- ✓ High carbon



Technical specifications



EAN code
8020584218983

Axle
Front

Diameter Ø
320 mm

Thickness (TH)
28 mm

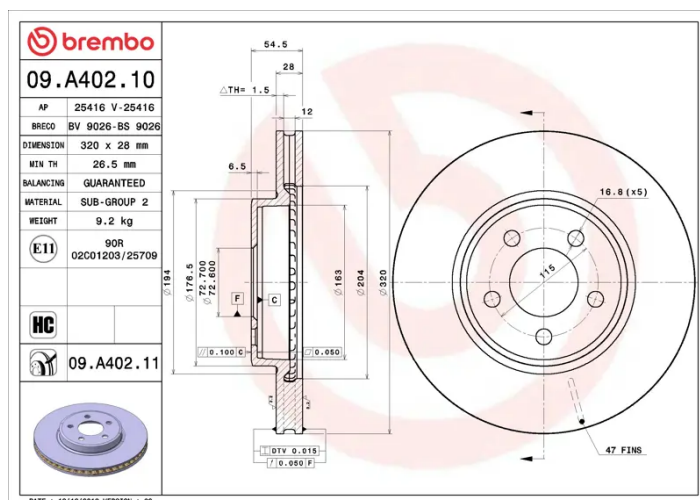
Height (A)
55 mm

Number of holes (C)
5

Brake disc type
Ventilated

Centering (B)
73 mm

Min. thickness
26,5 mm



COMPATIBLE VEHICLES

COMPATIBLE OE PART NUMBERS

04779196AA CHRYSLER

04779196AB CHRYSLER

04779196AD CHRYSLER

04779196AE CHRYSLER

04779196AF CHRYSLER

04779196AG CHRYSLER

4779196AA CHRYSLER

4779196AB CHRYSLER

4779196AD CHRYSLER

4779196AE CHRYSLER

4779196AF CHRYSLER

4779196AG CHRYSLER

68368064AA CHRYSLER

4779196AE DODGE

4779196AF DODGE

4779196AG DODGE
