



BRAKE DISC PAINTED

09.A707.11

The 09.A707.11 painted brake disc is synonymous with reliability

The Brembo brake disc with special UV paint treatment guarantees superior corrosion resistance for the product, thanks to the protective coating on the outer edges and on the disc hub. The UV paint not only gives the disc a clean, shiny appearance but is also beneficial for the environment as the water-based UV paint treatment does not require the use of chemical solvents and is a low energy consumption process.

- ✓ OE-equivalent
- ✓ Brembo quality
- ✓ ECE-R90 certificate
- ✓ Safety
- ✓ Anti-corrosion

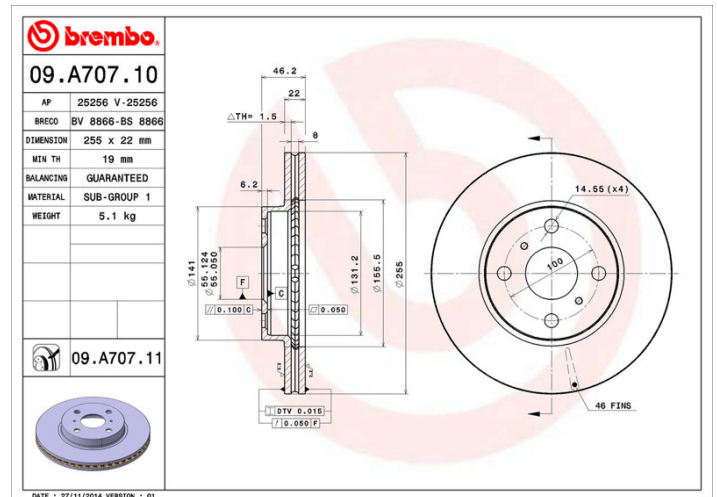


Technical specifications



EAN code 8020584210710	Axle Front	Diameter Ø 255 mm
Thickness (TH) 22 mm	Height (A) 46 mm	Number of holes (C) 4
Brake disc type Ventilated	Centering (B) 55 mm	Min. thickness 19 mm

Tightening torque
103 Nm



COMPATIBLE VEHICLES

COMPATIBLE OE PART NUMBERS

4351252120 PERODUA

435120D090 TOYOTA

4351252120 TOYOTA

435120D220 TOYOTA (FAW)

435120D130 TOYOTA (GAC)

435120D230 TOYOTA (GAC)
