



BRAKE DISC

09.B266.10

The **09.B266.10** brake disc is synonymous with reliability

The Brembo brake disc is fully interchangeable with an Original Equipment brake disc. The control of the entire production cycle allows Brembo to offer brake discs with outstanding performance levels, reliability, durability and comfort in all conditions of use. All Brembo brake discs are accompanied by the ECE-R90 homologation.

- ✓ OE-equivalent
- ✓ Brembo quality
- ✓ ECE-R90 certificate
- ✓ Safety



Technical specifications



EAN code
8020584018545

Axle
Front

Diameter Ø
320 mm

Thickness (TH)
28 mm

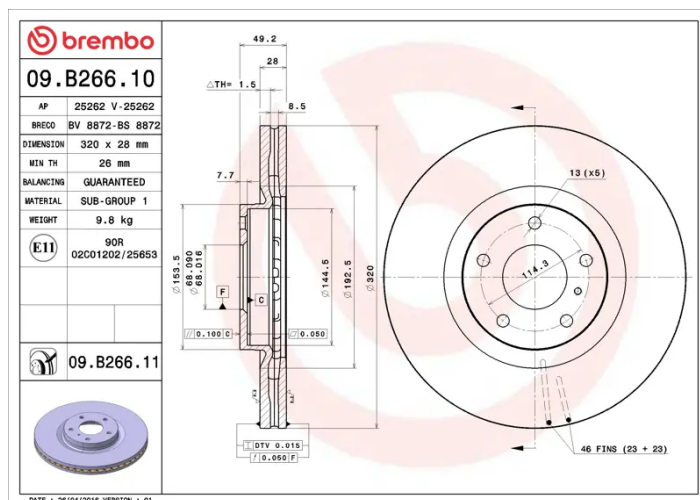
Height (A)
49 mm

Number of holes (C)
5

Brake disc type
Ventilated

Centering (B)
68 mm

Min. thickness
26 mm



COMPATIBLE VEHICLES

COMPATIBLE OE PART NUMBERS

40206CG010 INFINITI

40206EG000 INFINITI

40206EG00B INFINITI

402061AA0A NISSAN

402067Y000 NISSAN

402069N00A NISSAN

402069N00C NISSAN

40206CA000 NISSAN

40206CA010 NISSAN

40206EG000 NISSAN

40206EG00B NISSAN

40206ZA500 NISSAN

D0206ZA500 NISSAN

402061AA0A NISSAN (DFAC)

40206EG000 NISSAN (DFAC)
