



BRAKE PAD PRIME CERAMIC P06093N

The P06093N NAO brake pad is synonymous with reliability

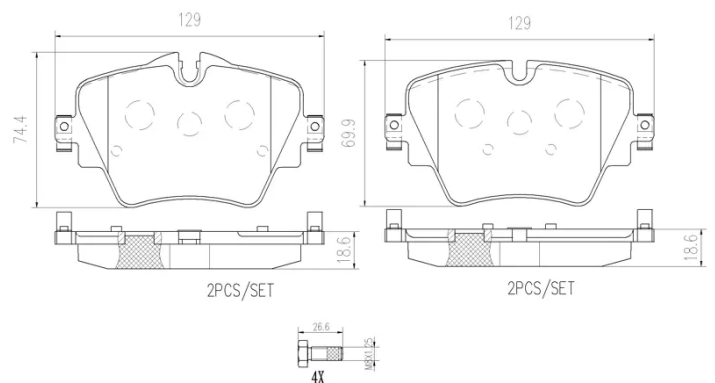
Brembo NAO brake pads stand out for their ultimate braking comfort, reduced friction wear and low dust mission, which makes for cleaner rims and reduced maintenance requirements. The advanced friction material in keeping with the strictest environmental standards is the main distinguishing feature of NAO compounds.

- ✓ OE-equivalent
- ✓ Brembo quality
- ✓ Safety
- ✓ Comfort
- ✓ Durability
- ✓ Dust reduction
- ✓ With accessories



Technical specifications

EAN code 8020584088043	Axle Front	Thickness 19 mm
Width 129 mm	Height 74 mm	Braking system Lucas
Wear indicator Prepared for wear indicator	WVA number 25617,25618	Accessories With accessories With anti-squeal shim With brake caliper bolts



COMPATIBLE VEHICLES

COMPATIBLE OE PART NUMBERS

34106860019	BMW
34106876245	BMW
34106882418	BMW
34106884492	BMW
34106884497	BMW
34106885521	BMW
34106888777	BMW
34106888778	BMW
34106898307	BMW
34116866309	BMW
34116890553	BMW
34118843653	BMW
8843653	BMW
34106884497	BMW (BRILLIANCE)
04465WAA02	TOYOTA