



BRAKE PAD NAO P50008N

The P50008N NAO brake pad is synonymous with reliability

Brembo NAO brake pads stand out for their ultimate braking comfort, reduced friction wear and low dust mission, which makes for cleaner rims and reduced maintenance requirements. The advanced friction material in keeping with the strictest environmental standards is the main distinguishing feature of NAO compounds.

- ✓ OE-equivalent
- ✓ Brembo quality
- ✓ Safety
- ✓ Comfort
- ✓ Durability
- ✓ Dust reduction
- ✓ With accessories



Technical specifications

EAN code
8020584080580

Axle
Front

Thickness
18 mm

Width
110 mm

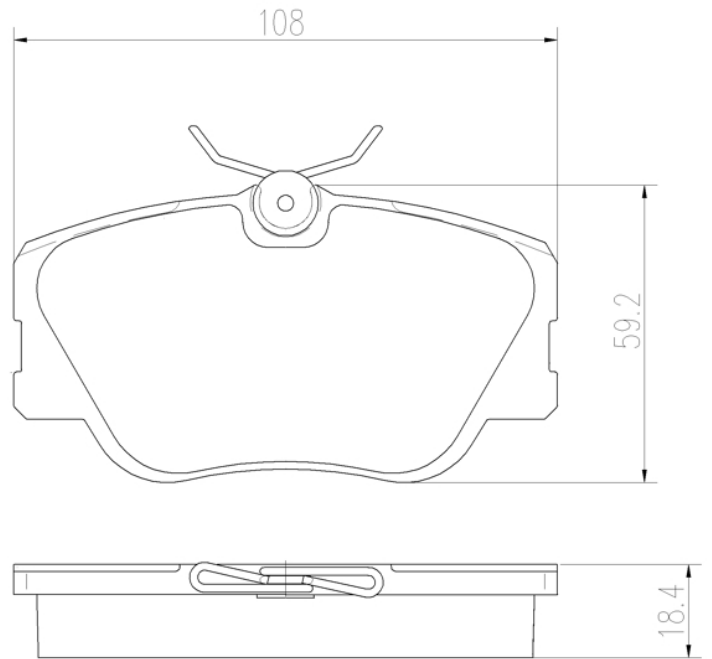
Height
59 mm

Braking system
Lucas

Wear indicator
Without

WVA number
20941,21028

Accessories
With anti-squeal shim
With brake caliper bolts



4 PCS/SET

COMPATIBLE VEHICLES

COMPATIBLE OE PART NUMBERS

0004200720	MERCEDES-BENZ
0004209920	MERCEDES-BENZ
00042099200005	MERCEDES-BENZ
0014200720	MERCEDES-BENZ
0014201220	MERCEDES-BENZ
001420122005	MERCEDES-BENZ
0024202320	MERCEDES-BENZ
004200720	MERCEDES-BENZ
004209920	MERCEDES-BENZ
0054204420	MERCEDES-BENZ
A0004200720	MERCEDES-BENZ
A0004209920	MERCEDES-BENZ
A00042099200005	MERCEDES-BENZ
A0014200720	MERCEDES-BENZ
A0014201220	MERCEDES-BENZ
A001420122005	MERCEDES-BENZ
A0024202320	MERCEDES-BENZ
A0054204420	MERCEDES-BENZ