



BRAKE PAD PRIME CERAMIC P85126N

The P85126N NAO brake pad is synonymous with reliability

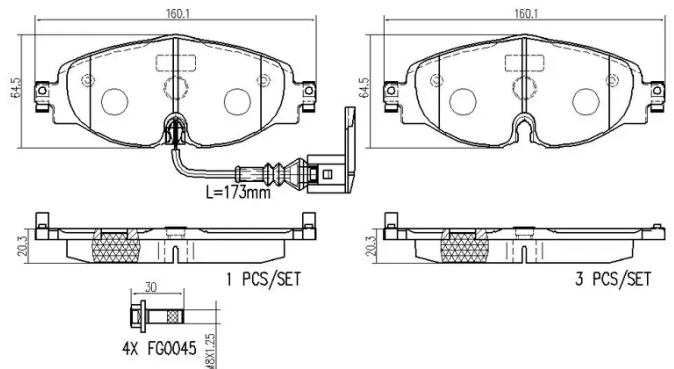
Brembo NAO brake pads stand out for their ultimate braking comfort, reduced friction wear and low dust mission, which makes for cleaner rims and reduced maintenance requirements. The advanced friction material in keeping with the strictest environmental standards is the main distinguishing feature of NAO compounds.

- ✓ OE-equivalent
- ✓ Brembo quality
- ✓ Safety
- ✓ Comfort
- ✓ Durability
- ✓ Dust reduction
- ✓ With accessories



Technical specifications

EAN code 8020584068113	Axle Front	Thickness 20 mm
Width 160 mm	Height 65 mm	Braking system TRW
Wear indicator Electric	WVA number 25683,25684	Accessories With accessories With anti-squeal shim With brake caliper bolts



COMPATIBLE VEHICLES

COMPATIBLE OE PART NUMBERS

5Q0698151 AUDI

5Q0698151A AUDI

5Q0698151AA AUDI

5Q0698151B AUDI

5Q0698151F AUDI

5Q0698151N AUDI

8V0698151 AUDI

8V0698151A AUDI

8V0698151B AUDI

8V0698151D AUDI

8V0698151G AUDI

8V0698151S AUDI

JZW698151AN AUDI

L8V0698151G AUDI

8V0698151D AUDI (FAW)

L8V0698151D AUDI (FAW)

5Q0698151 SEAT

5Q0698151A SEAT

5Q0698151B SEAT

5Q0698151F SEAT

5Q0698151N SEAT

8V0698151 SEAT

8V0698151A SEAT

8V0698151B SEAT

8V0698151D SEAT

8V0698151G SEAT

JZW698151AN SEAT

L8V0698151G SEAT

5Q0698151 SKODA

5Q0698151A SKODA

5Q0698151AD SKODA

5Q0698151AF SKODA

5Q0698151B SKODA

5Q0698151F SKODA

5Q0698151N SKODA

8V0698151 SKODA

8V0698151A SKODA

8V0698151B SKODA

8V0698151D SKODA

8V0698151G SKODA

JZW698151AN SKODA

L8V0698151G SKODA

5Q0698151 VW

5Q0698151A VW

5Q0698151AH VW

5Q0698151AN	VW
5Q0698151AP	VW
5Q0698151B	VW
5Q0698151F	VW
5Q0698151N	VW
5Q0698151S	VW
8V0698151	VW
8V0698151A	VW
8V0698151B	VW
8V0698151D	VW
8V0698151G	VW
8V0698151R	VW
JZW698151AN	VW
JZW698302CG	VW
L8V0698151G	VW
8V0698151D	VW (FAW)
L8V0698151D	VW (FAW)
5QD698151E	VW (SVW)