



BRAKE PAD

P 28 051

The P 28 051 brake pad is synonymous with reliability

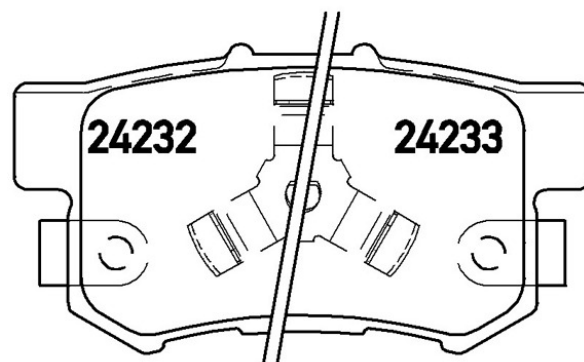
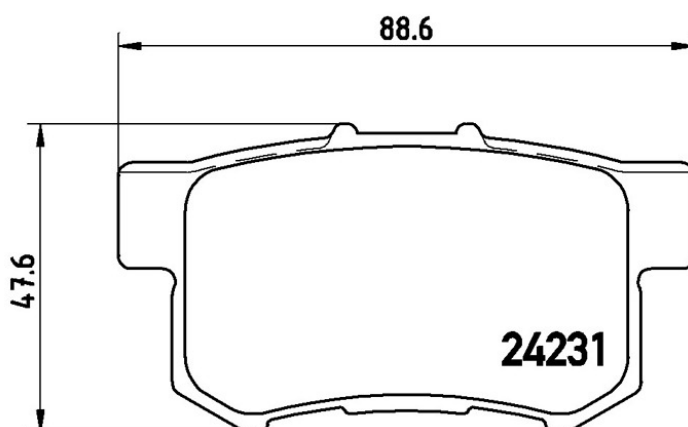
The Brembo brake pad guarantees ultimate safety when braking thanks to the use of more than 100 different compounds, designed according to the type of vehicle and use. Stopping distances reduced to a minimum, maximum driving comfort and silent operation are the most important features of Brembo materials. Brembo brake pads are supplied together with an extensive range of accessories and assembly kits for professional-standard installation.

- ✓ OE-equivalent
- ✓ Brembo quality
- ✓ ECE-R90 certificate
- ✓ Safety
- ✓ Performance
- ✓ Comfort



Technical specifications

EAN code	Axle	Thickness
8020584091104	Rear	15 mm
Width	Height	Braking system
89 mm	48 mm	Akebono
Wear indicator	WVA number	Accessories
Acoustic	24231,24232,24233	With piston clip



COMPATIBLE OE PART NUMBERS

43022SXS010	ACURA
43022T0GA00	ACURA
43022T0GA01	ACURA
43022TP6H00	ACURA
06430S0KJ01	HONDA
06430S0NJ00	HONDA
06430S2XJ00	HONDA
06430S3NJ00	HONDA
06430S7AJ00	HONDA
06430S7S000	HONDA
06430S9A010	HONDA
06430SCVA00	HONDA
06430SED000	HONDA
06430SEDE50	HONDA
43022S7S000	HONDA
43022S9A000	HONDA
43022S9A010	HONDA
43022S9A020	HONDA
43022S9AE00	HONDA
43022SCVA00	HONDA
43022SJF000	HONDA
43022SP0010	HONDA
43022SP0305	HONDA
43022SXS000	HONDA
43022T0GA00	HONDA
43022T0TH00	HONDA
43022T2MT00	HONDA
43022TLOG50	HONDA
43022TLOG51	HONDA
43022TLOG52	HONDA
43022TP6A00	HONDA
43022TP6A01	HONDA
43022T0TH00	HONDA (DONGFENG)
43022T0TH00	HONDA (GAC)
586202984	ISUZU
586207073	ISUZU
586207204	ISUZU
AY060HN005	NISSAN