



# BRAKE PAD

## P 50 064

The P 50 064 brake pad is synonymous with reliability

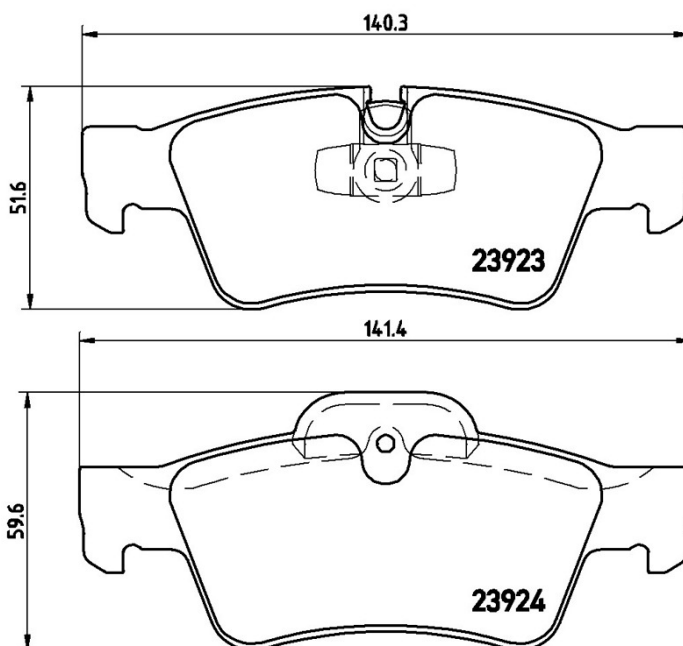
The Brembo brake pad guarantees ultimate safety when braking thanks to the use of more than 100 different compounds, designed according to the type of vehicle and use. Stopping distances reduced to a minimum, maximum driving comfort and silent operation are the most important features of Brembo materials. Brembo brake pads are supplied together with an extensive range of accessories and assembly kits for professional-standard installation.

- ✓ OE-equivalent
- ✓ Brembo quality
- ✓ ECE-R90 certificate
- ✓ Safety
- ✓ Performance
- ✓ Comfort



### Technical specifications

EAN code	Axle	Thickness
<b>8020584059609</b>	<b>Rear</b>	<b>18 mm</b>
Width	Height	Braking system
<b>140 mm</b>	<b>52 mm</b>	<b>Teves</b>
Wear indicator	WVA number	Accessories
<b>Prepared for wear indicator</b>	<b>23923,26924</b>	<b>With piston clip</b>



COMPATIBLE VEHICLES

## COMPATIBLE OE PART NUMBERS

0044205220 MERCEDES-BENZ

---

0084205320 MERCEDES-BENZ

---

1644201520 MERCEDES-BENZ

---

1644201920 MERCEDES-BENZ

---

1644202720 MERCEDES-BENZ

---

16442027200090 MERCEDES-BENZ

---

9104207400 MERCEDES-BENZ

---

A0044205220 MERCEDES-BENZ

---

A0084205320 MERCEDES-BENZ

---

A1644201520 MERCEDES-BENZ

---

A1644201920 MERCEDES-BENZ

---

A1644202720 MERCEDES-BENZ

---

A16442027200090 MERCEDES-BENZ

---

A9104207400 MERCEDES-BENZ

---